

MULTI-FUNCTION MODULE



FEATURES:

- RS485 communication via XYE port for:
 - Centralized control.
 - Wired control KJR-120N (code CL09211) or KJR-120P (code CL09214).
 - Home automation gateways (Modbus, KNX, Bacnet, Airzone).
- ON/OFF input and alarm output via dry contacts.
- Concealed installation inside the indoor unit.

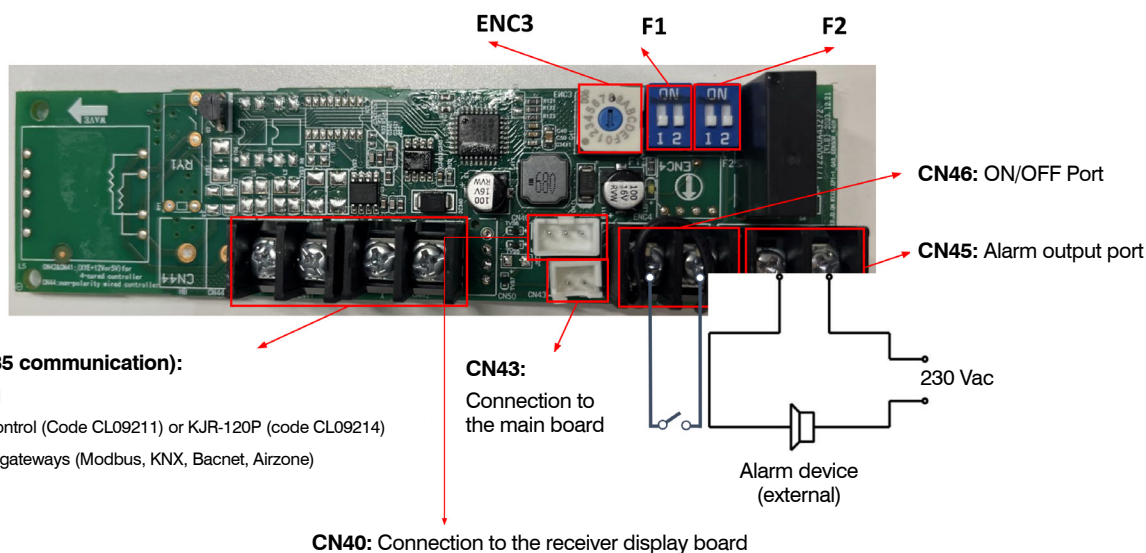


COMPATIBLE WITH RANGE:

DOMESTIC	<i>MUPR-H16, MUPR-H16-I Series, MUPR-H11, MUPR-H11-I, MUCNR-H14-I</i>
COMMERCIAL	<i>MUCNR-H14 Series</i>

Series	Code
MUPR-H16 MUPR-H16-I	CL09450
MUPR-H11 MUPR-H11-I	CL09400
MUCNR-H14 MUCNR-H14-I	CL09403

CONNECTIONS



XYE Port (RS485 communication):

- Centralized control
- KJR-120N wired control (Code CL09211) or KJR-120P (code CL09214)
- Home automation gateways (Modbus, KNX, Bacnet, Airzone)

Note:

1. In the case of the XYE port, only one of the above-mentioned devices can be connected, not several at the same time.
2. The rotary switch "ENC3" and the micro-switch "F1" are used to set the RS485 network address.
3. The "F2" micro-switch is used for on/off configuration of the CN46 port.
4. The ON/OFF input port and the alarm output port are dry contacts; they have no power output, they only provide an ON/OFF signal.