

# INDUSTRIAL AIR CURTAINS

## MU-CA Series

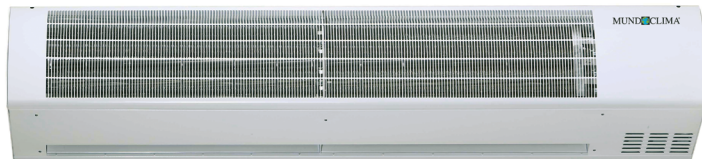


Height: 4 to 8 m

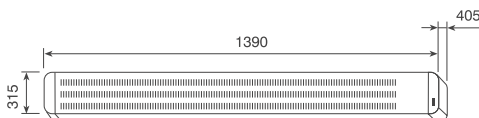


### FEATURES

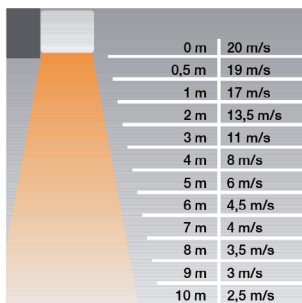
- For 4 - 8 m doors.
- Horizontal installation.



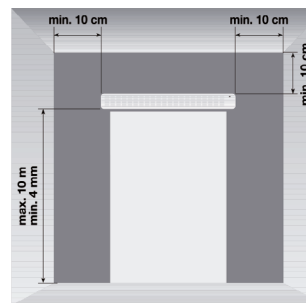
Control  
MU-CR 20-30



Series 1000



Distance/air speed



Installation height

### TECHNICAL FEATURES

Model MU-CA		1000F	1500F	1000E18	1500E36
Code		EC 06 390	EC 06 391	EC 06 392	EC 06 395
Power supply	V	230	230	400+N	400+N
Heating power	kW	-	-	9 / 18	18 / 36
Thermal jump	DT	-	-	5 / 7 / 11 / 13	7 / 8 / 15 / 17
Speeds	Nº	2	2	2	2
Air flow rate	m³/h	4,100 / 5,200	6,700 / 8,300	4,100 / 5,000	6,500 / 7,500
Outlet speed	m/s	20	20	20	20
Max. current consump.	A	3	5	27	54
Controller		Optional	Optional	Optional	Optional
Sound level	dB (A)	62	70	62	70
Weight	kg	40	50	45	55