

# WIRED REMOTE CONTROLLER INSTALLATION MANUAL

MODEL: KJR-120F/BMK-E、KJR-120F1/BMK-E、KJR-120F2/BMK-E、KJR-120F3/BMK-E  
CODE: CL92340

Version: MD14I-044AW  
202055190107

Thank you very much for purchasing our product.  
Before using your unit, please read this manual carefully and keep it for future reference.

## SAFETY PRECAUTION

- Read the safety precautions carefully before installing the unit.
- Stated below are important safety issues that must be obeyed.
- Conform there is no abnormal phenomena during test operation after complete, then hand the manual to the user.
- Meaning of marks:

	<b>WARNING</b>	Means improper handling may lead to personal death or severe injury.
	<b>CAUTION</b>	Means improper handling may lead to personal injury or property loss.

## WARNING

**Please entrust the distributor or professionals to install the unit.**  
Installation by other persons may lead to imperfect installation, electric shock or fire.

**Strictly follow this manual.**  
Improper installation may lead to electric shock or fire.

**Reinstallation must be performed by professionals.**  
Improper installation may lead to electric shock or fire.

**Do not disassemble your air conditioner at will.**  
A random disassembly may cause abnormal operation or heating, which may result in fire.

## CAUTION

**Do not install the unit in a place vulnerable to leakage of flammable gases.**  
Once flammable gases are leaked and left around the wire controller, fire may occur.

**The wiring should adapt to the wire controller current.**  
Otherwise, electric leakage or heating may occur and result in fire.

**The specified cables shall be applied in the wiring. No external force may be applied to the terminal.**  
Otherwise, wire cut and heating may occur and result in fire.

**Do not place the wired remote controller near the lamps, to avoid the remote signal of the controller to be disturbed. (refer to the right figure)**



## OTHER PRECAUTIONS

### 1. Installation Location

Do not install the unit in a place with much oil, steam, sulfide gas. Otherwise, the product may deform and fail.

### 2. Preparation before installation

1) Check whether the following assemblies are complete.

No.	Name	Qty.	Remarks
1	Wire controller	1	
2	Cross round head wood mounting screw	3	GB950-86 M4X20 (For Mounting on the Wall)
3	Cross round head mounting screw	2	M4X25 GB823-88 (For Mounting on the Electrical Switch Box)
4	Installation Manual	1	
5	Owner's Manual	1	
6	Plastic expansion pipe	3	For Mounting on the Wall
7	Plastic screw bar	2	For fixing on the 86 electrician box
8	Adapter	1	For supplying power for wire controller

2) Prepare the following assemblies on the site.

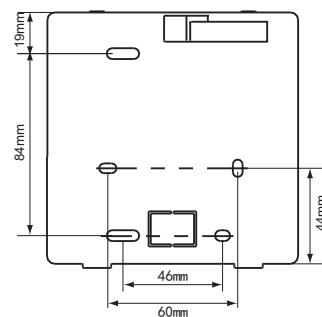
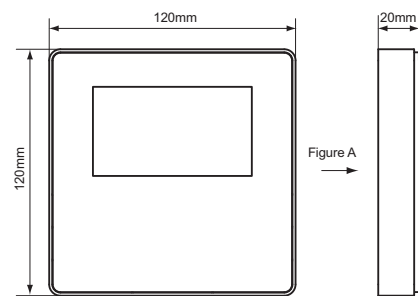
No.	Name	Qty (embedded into wall)	Specification (only for reference)	Remarks
1	3-core shielded cable	1	RVVP-0.5mm <sup>2</sup> ×3	For connecting wire controller and main unit
2	Electrician box	1		
3	Wiring Tube (Insulating Sleeve and Tightening Screw)	1		

### 3. Note to installation of wire controller:

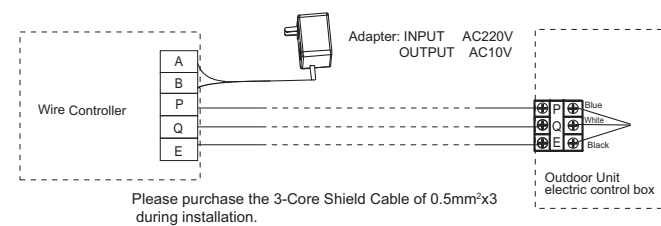
- This installation manual contains information about the procedure of installing Wired Remote Controller. Please refer to Indoor Unit Installation Manual for connecting between Wired Remote Controller and Indoor Unit.
- Circuit of Wired Remote Controller is low voltage circuit. Never connect it with a standard 220V/380V circuit or put it into a same Wiring Tube with the circuit.
- The shield cable must be connected stable to the ground, or transmission may fail.
- Do not attempt to extend the shield cable by cutting, if it is necessary, use Terminal Connection Block to connect.
- After finishing connection, do not use Megger to have the insulation check to the signal wire.

## INSTALLATION PROCEDURE AND MATCHING SETTING OF WIRE CONTROLLER

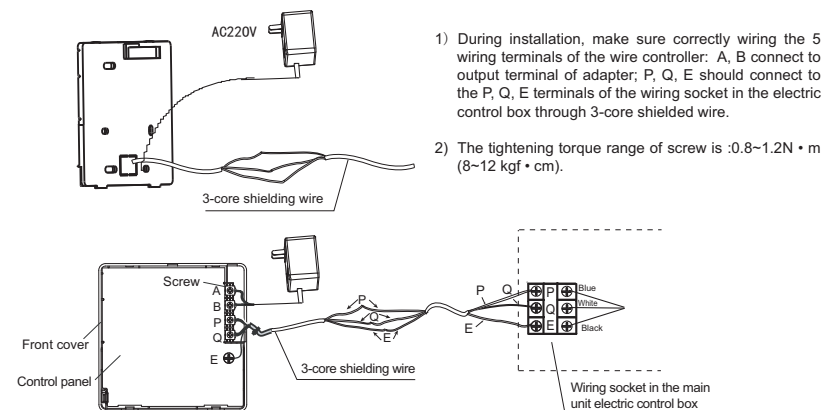
### 1. Wired remote controller structure size figure



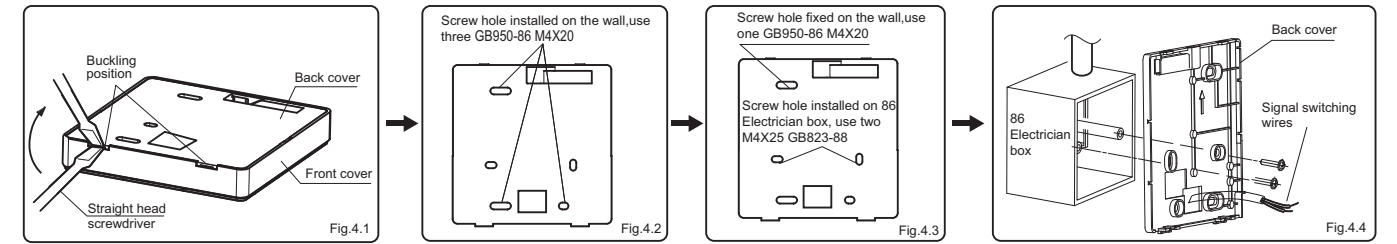
### 2. Wiring sketch:



### 3. Wiring figure



## 4. Back cover installation

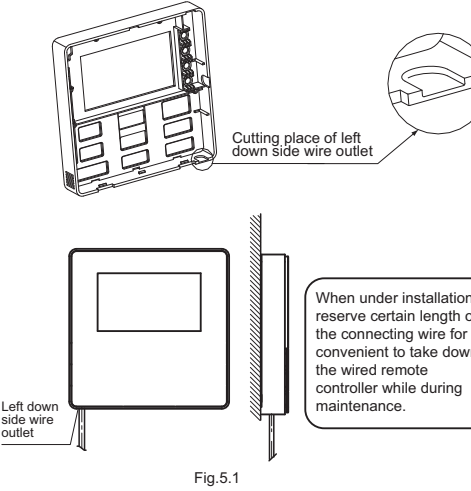


- Use straight head screwdriver to insert into the buckling position in the bottom of wire controller, and spin the screwdriver to take down the back cover. (Pay attention to spinning direction, otherwise will damage the back cover!) (Fig.4.1)
- Use three GB950-86 M4X20 screws to directly install the back cover on the wall. (Fig.4.2)
- Use two M4X25 GB823-88screws to install the back cover on the 86 electrician box, and use one GB950-86 M4X20 screws for fixing on the wall. (Fig.4.3)

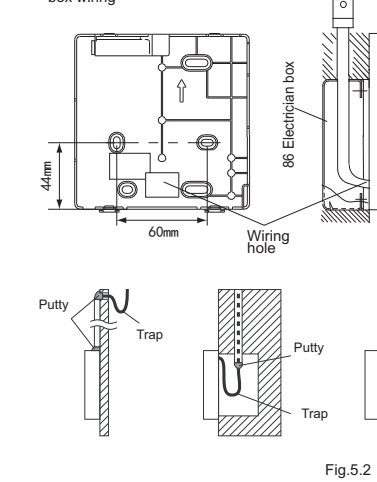
- Adjust the length of two plastic screw bars in the accessory to be standard length from the electrical box screw bar to the wall. Make sure when install the screw bar to the electrical box screw bar, make it as flat as the wall. (Fig.4.4)
- Use cross head screws to fix the wire controller bottom cover in the electric control box through the screw bar. Make sure the wire controller bottom cover is on the same level after installation, and then install the wire controller back to the bottom cover.
- Over fasten the screw will lead to deformation of back cover.

## 5. Wiring

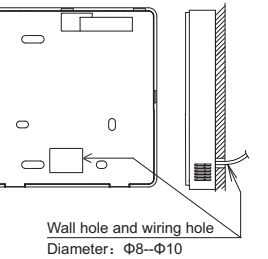
### A. Wiring, three outletting positions



### (b) Embedded 86 electrician box wiring



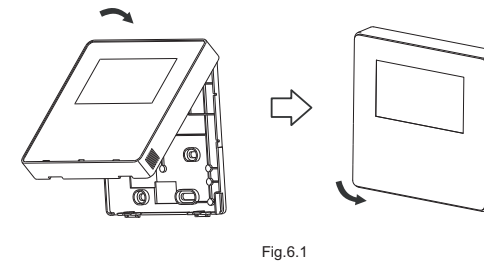
### C. Shielded wiring



Avoid the water enter into the wired remote controller, use trap and putty to seal the connectors of wires during wiring installation. (Fig.5.2)

## 6. Front cover installation

After adjusting the front cover and then buckle the front cover; avoid clamping the communication switching wire during installation. (Fig.6.1)



Correct install the back cover and firmly buckle the front cover and back cover, otherwise will make the front cover drop off. (Fig.6.2)

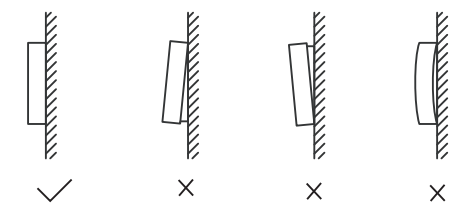


Fig.6.2