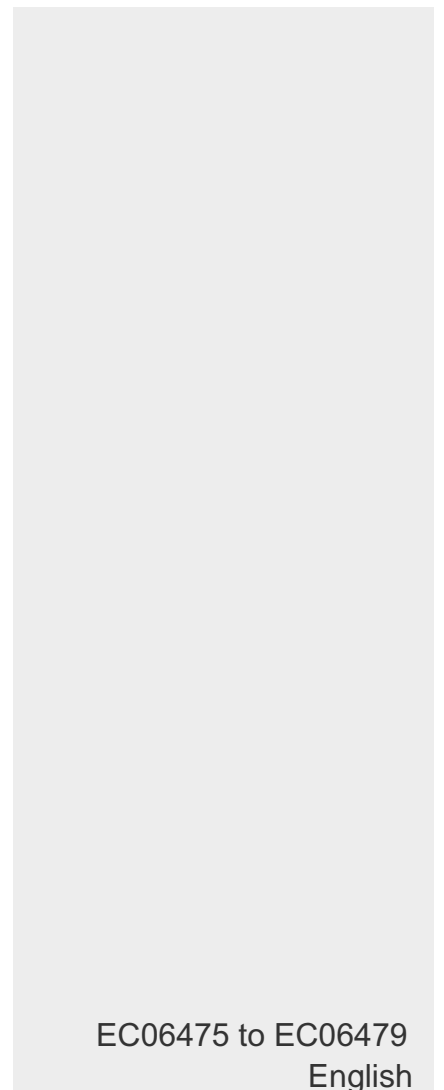


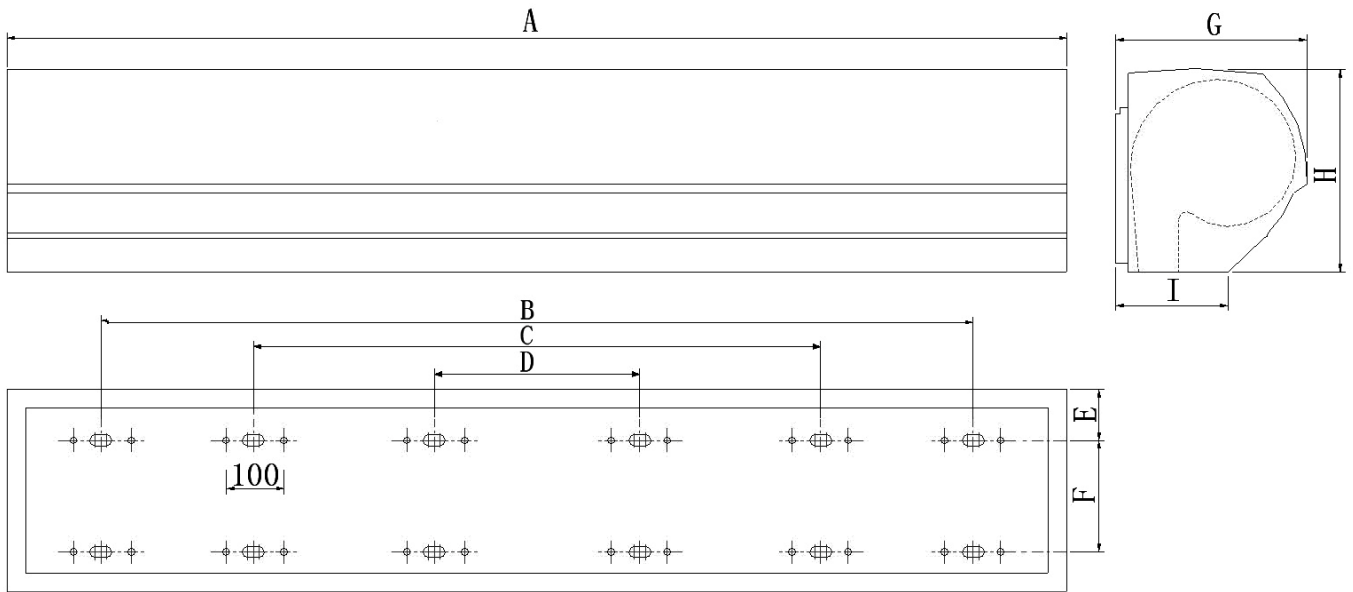
AIR CURTAIN

User and installation manual

MU-ALU



1. IDENTIFICATION & INSTALLATION DIMENSIONS

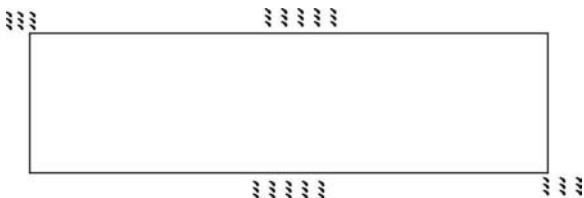


MODEL	A	B	C	D	E	F	G	H	I
MU-ALU 09	900	---	695	---	74	100	215	230	123
MU-ALU 12	1200	---	990	295					
MU-ALU 15	1500	---	1285	504					
MU-ALU 18	1800	1580	885	210					
MU-ALU 20	2000	1580	885	210					

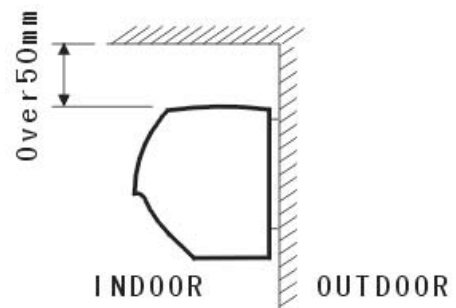
2. INSTALLATION CAUTION

Must follow the following asking when installing air curtain :

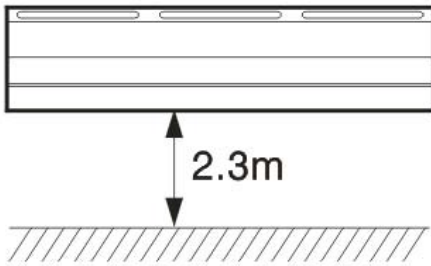
2.1 Please install the unit in a sturdy place to avoid the shaking and ensure its security (because it maybe cause the wall becoming flexible or shaking and noise.



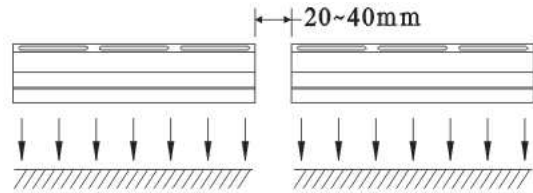
2.2 Please install the unit inside the room.



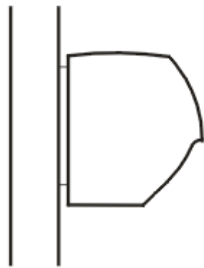
2.3 Don't install the unit too low, no less than 2.3 meter from the ground.



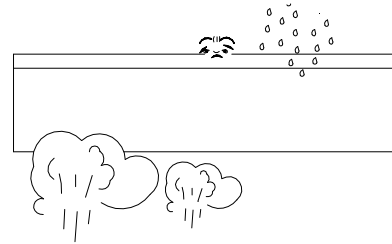
2.4 When the entrance is wider than the unit, it is recommended to install two or more units in parallel. In this case, provide 20-40mm gaps between the units.



2.5 Don't allow gaps between the unit and the wall. When hanging it from the ceiling, using the enclosed ceiling brackets.



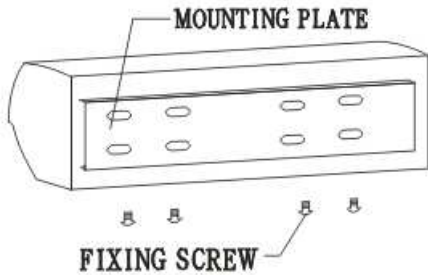
2.6 Don't install the unit in a place where it is splashed by water, exposed to excessive steam, explosive gas or corrosive gas.



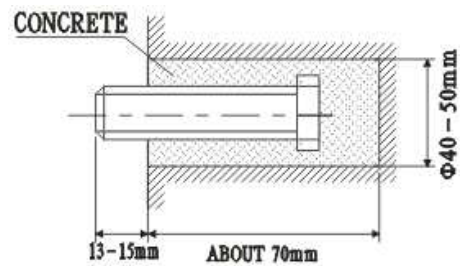
3. INSTALLATION

A. Installing on the concrete wall:

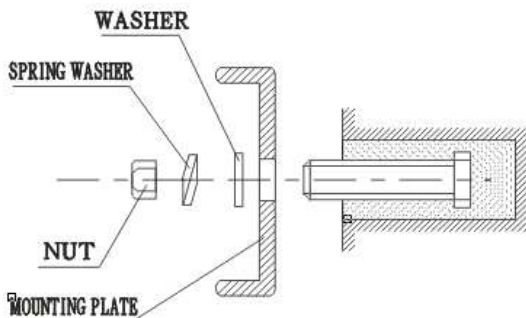
3.1.1 Removed the mounting plate
Unclamping the fixed screws on the back of main body to removed the mounting plate.



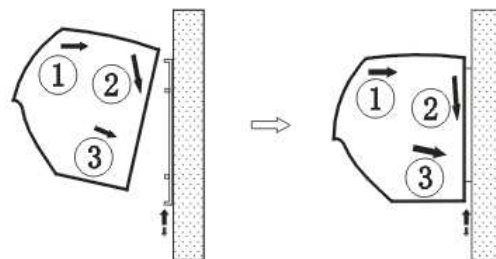
3.1.2 Fix the bolts in the proper position
(Decide the position with the mounting plate and pour cement into the bolt holes.)



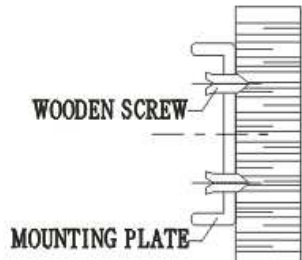
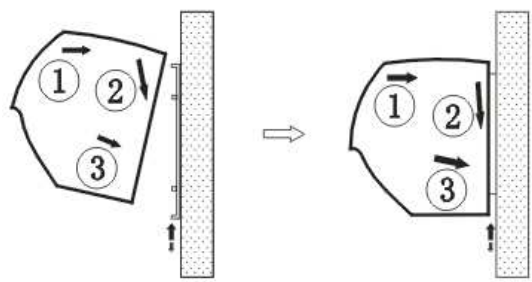
3.1.3 When the cement has freeze, fit the mounting plate (use the washer and nut according to the following)



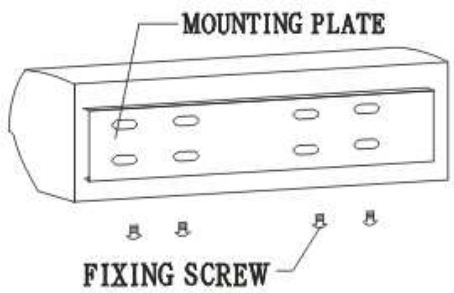
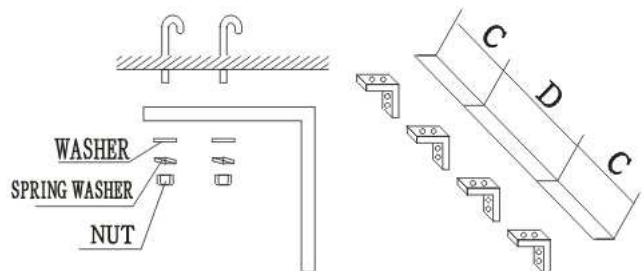
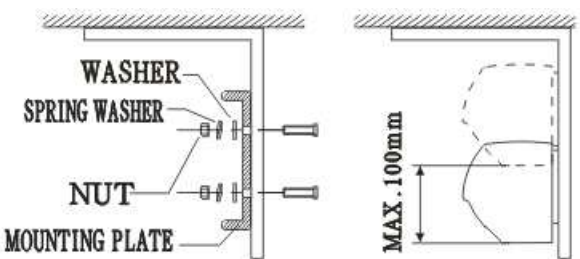
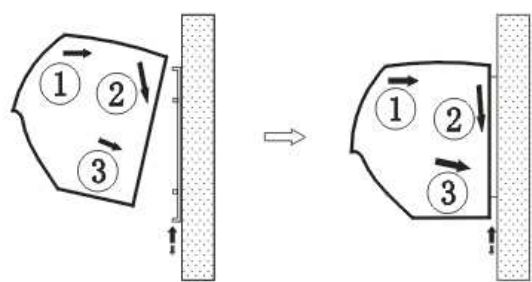
3.1.4 Install the main body
Set the main body onto the upper end of the mounting plate and clamp it as shown.



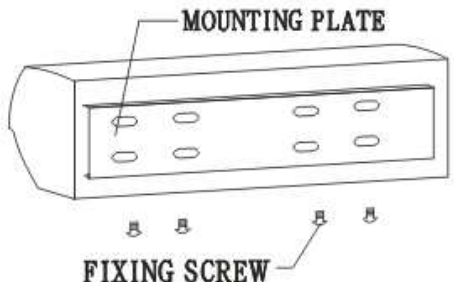
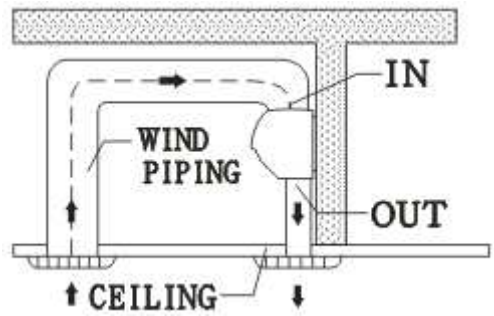
B. Installing on the wooden wall

<p>3.2.1 Fix the mounting plate in the proper positions with tapping screw.</p>  <p>WOODEN SCREW</p> <p>MOUNTING PLATE</p>	<p>3.2.2 Same as the step 3 of A</p> 
---	---

C. Hanging from the ceiling

<p>3.3.1 Remove the mounting plate from main body (Same as step 3.1.1)</p>  <p>MOUNTING PLATE</p> <p>FIXING SCREW</p>	<p>3.3.2 Fixing ceiling brackets as Fig.</p>  <p>WASHER</p> <p>SPRING WASHER</p> <p>NUT</p>
<p>3.3.3 Set the mounting plate on the ceiling brackets and ensure safe & fixing (use the bolts attached to the ceiling brackets as Fig. Using the ceiling brackets to hang from the ceiling, the position of mounting plate can be adjusted in the limit of 100mm.</p>  <p>WASHER</p> <p>SPRING WASHER</p> <p>NUT</p> <p>MOUNTING PLATE</p> <p>MAX. 100mm</p>	<p>3.3.4 Do the same as step A to install the main body.</p> 

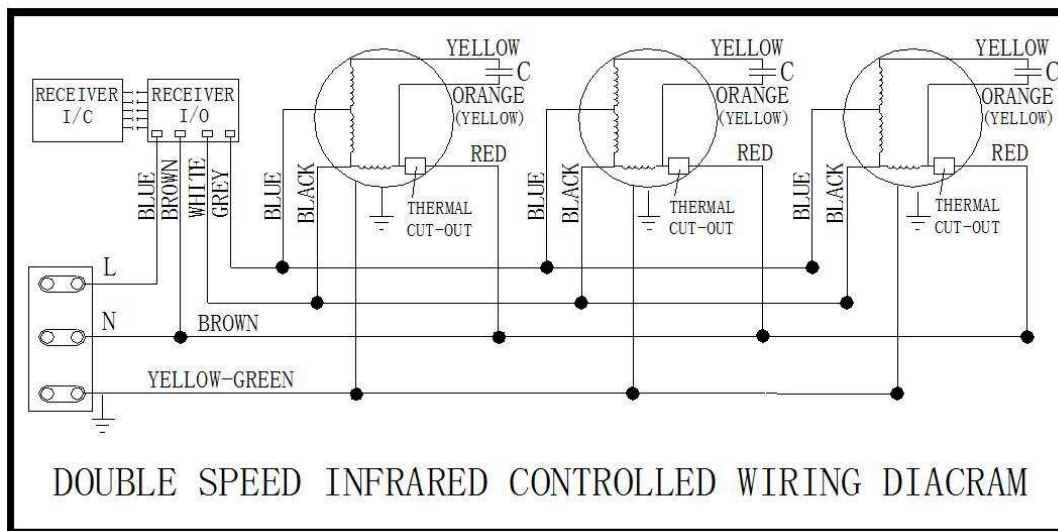
D. For above ceiling

<p>3.4.1 Fix the air curtain as in the procedure for installing on the concrete wall.</p>  <p>MOUNTING PLATE</p> <p>FIXING SCREW</p>	<p>3.4.2 Then pipe as below Fig. Instructs.</p>  <p>IN</p> <p>WIND PIPING</p> <p>OUT</p> <p>CEILING</p>
---	---

4. TECHNICAL PARAMETER

Model	Volt. (V~)	Freq (Hz)	Max input power (W)		Max air speed (m/s)		Air volume (m ³ /h)		Noise (dB)		Net weight (Kg)
			H	L	H	L	H	L	H	L	
			MU-ALU 09	220	50	230	200	16	13	1100	
MU-ALU 12	290	260	1500			1200	53			50	15.5
MU-ALU 15	380	350	1900			1500	55			52	20
MU-ALU 18	450	420	2280			1800	57			55	23.5
MU-ALU 20	470	440	2520			2100	58			56	27

5. ELECTRIC WORK



6. OPERATION

- 6.1 Turn on the power switch
- 6.2 Select the best speed: High[H], Low[L]
- 6.3 According to the installation place to adjust the wind direction parts to obtain the best effect.

7. CAUTIONS

- a) Use the unit at the rated voltage and frequency indicated on the nameplate.
- b) Disconnect power source before unit operation.
- c) Routing maintenance must be done every year.
- d) Never use petrol, benzene, thinner or any other such chemical for clearing the unit.
- e) Don't allow water or anything enter the motor.
- f) When power supply comes from socket, the plug must accord with IEC335-1. When the power cord is connected with charging line directly, all polarity switches that the contact gap is 3mm at least must be installed in the charging line.



ASK FOR MORE INFORMATION:

Phone: +34 93 446 27 80 - Fax: +34 93 456 90 32

eMail: mundoclima@salvadorescoda.com

TECHNICAL ASSISTANCE:

Phone: +34 93 652 53 57 - Fax: +34 93 635 45 08