

MULTI INVERTER H3
Outdoor unit
Owner's & installation manual
MUEX-H3



In line with the company's policy of continual product improvement, the aesthetic and dimensional characteristics, technical data and accessories of this appliance may be changed without notice.

CONTENTS **GENERAL INFORMATION**

GENERAL INFORMATION	Conformity And Range	1
	Warning	2
	The Instructions Before Use	5
	Name of Parts	6
	Outdoor Unit Working Temperature Range	7
	Technical Data	8
	Dimensions	9
INSTALLER	Electrical Connections	11
	Piping between the indoor and outdoor units	15
	Bleeding	16
	Maintenance	17
	Installation Dimension Diagram	17
	Check After Installation	18
	Troubleshooting	19

The products in this manual may be different with the real one, according to different models, some models have displayer and some models without displayer, the position and shape of the displayer please refer to the real one.


This appliance is not intended for use by persons (including children) with reduced physical, sensory or mental capabilities, or lack of experience and knowledge, unless they have been given supervision or instruction concerning use of the appliance by a person responsible for their safety.


Children should be supervised to ensure that they do not play with the appliance.



This marking indicates that this product should not be disposed with other household wastes throughout the EU. To prevent possible harm to the environment or human health from uncontrolled waste disposal, recycle it responsibly to promote the sustainable reuse of material resources. To return your used device, please use the return and collection systems or contact the retailer where the product was purchased. They can take this product for environmental safe recycling.

CONFORMITY AND RANGE **GENERAL INFORMATION**

 Please read this owner's manual carefully before operating the unit and keep it carefully for consultation.

 Only use the air conditioner as instructed in this booklet. These instructions are not intended to cover every possible condition and situation. As with any electrical household appliance, common sense and caution are therefore always recommended for installation, operation and maintenance.



Operation and Maintenance

- This appliance can be used by children aged from 8 years and above and persons with reduced physical, sensory capabilities or lack of experience and knowledge if they have been given supervision or instruction concerning use of the appliance in a safe way and understand the hazards involved.
- Children shall not play with the appliance.
- Cleaning and user maintenance shall not be made by children without supervision.
- Do not connect air conditioner to multi-purpose socket. Otherwise, it may cause fire hazard.
- Do disconnect power supply when cleaning air conditioner. Otherwise, it may cause electric shock.
- If the supply cord is damaged, it must be replaced by the manufacturer, its service agent or similarly qualified persons in order to avoid a hazard.
- Do not wash the air conditioner with water to avoid electric shock.
- Do not spray water on indoor unit. It may cause electric shock or malfunction.
- After removing the filter, do not touch fins to avoid injury.
- Do not use fire or hair dryer to dry the filter to avoid deformation or fire hazard.
- Maintenance must be performed by qualified professionals. Otherwise, it may cause personal injury or damage.
- Do not repair air conditioner by yourself. It may cause electric shock or damage. Please contact dealer when you need to repair air conditioner.
- Do not extend fingers or objects into air inlet or air outlet. It may cause personal injury or damage.
- Do not block air outlet or air inlet. It may cause malfunction.
- Do not spill water on the remote controller; otherwise the remote controller may be broken.
- When below phenomenon occurs, please turn off air conditioner and disconnect power immediately, and then contact the dealer or qualified professionals for service.
 - Power cord is overheating or damaged.
 - There's abnormal sound during operation.
 - Circuit break trips off frequently.
 - Air conditioner gives off burning smell.
 - Indoor unit is leaking.



- If the air conditioner operates under abnormal conditions, it may cause malfunction, electric shock or fire hazard.
- When turning on or turning off the unit by emergency operation switch, please press this switch with an insulating object other than metal.
- Do not step on top panel of outdoor unit or put heavy objects. It may cause damage or personal injury.

Attachment

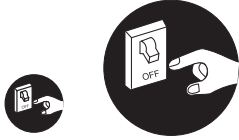
- Installation must be performed by qualified professionals. Otherwise, it may cause personal injury or damage.
- Follow the electric safety regulations when installing the unit.
- According to the local safety regulations, use qualified power supply circuit and circuit break.
- Do install the circuit break. If not, it may cause malfunction.
- An all-pole disconnection switch having a contact separation of at least 3mm in all poles should be connected in fixed wiring.
- Including a circuit break with suitable capacity, please note the table. Air switch should be included magnet buckle and heating buckle function, it can protect the circuit-short and overload.
- Air Conditioner should be properly grounded. Incorrect grounding may cause electric shock.
- Do not use unqualified power cord.
- Make sure the power supply matches with the requirement of air conditioner. Unstable power supply or incorrect wiring or malfunction. Please install proper power supply cables before using the air conditioner.
- Properly connect the live wire, neutral wire and grounding wire of power socket.
- Be sure to cut off the power supply before starting any work related to electricity and safety.
- Do not put through the power before finishing installation.
- If the supply cord is damaged, it must be replaced by the manufacturer, its service agent or similarly qualified persons in order to avoid a hazard.
- The temperature of refrigerant circuit will be high, please keep the interconnection cable away from the copper tube.
- The appliance shall be installed in accordance with national wiring regulations.
- Installation must be performed in accordance with the requirement of NEC and CEC by authorized personnel only.



- The air conditioner is the first class electric appliance. It must be properly grounding with specialized grounding device by a professional. Please make sure it is always grounded effectively, otherwise it may cause electric shock.
- The yellow-green wire in air conditioner is grounding wire, which can't be used for other purposes.
- The grounding resistance should comply with national electric safety regulations.
- The appliance must be positioned so that the plug is accessible.
- All wires of indoor unit and outdoor unit should be connected by a professional.
- If the length of power connection wire is insufficient, please contact the supplier for a new one. Avoid extending the wire on yourself.
- For the air conditioner with plug, it should be reachable after finishing installation.
- For the air conditioner without plug, an circuit break must be installed in the line.
- If you need to relocate the air conditioner to another place, only the qualified person can perform the work. Otherwise, it may cause personal injury or damage.
- Select a location which is out of reach for children and far away from animals or plants. If it is unavoidable, please add the fence for safety purpose.
- The indoor unit should be installed close to the wall.

WARNING

★ When having a burning smell or smoke, please turn off the power supply and contact with the service center.



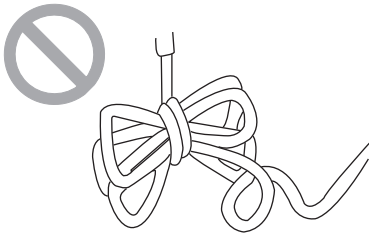
If the abnormality still exists, the unit may be damaged, and may cause electric shock or fire.

★ The power supply must adopt the special circuit that with air switch protection and assure it has enough capacity. The unit will be turned on or off according to your requirement automatically, please do not turn on or turn off the unit frequently, otherwise disadvantage effect may be caused to the unit.

★ Never cut off or damage power cables and control wires. If the power cable and signal control wire were damaged, change them by professional.



★ Power must adopt the special circuit to prevent fire.



Otherwise, it can cause electric shock or fire.

★ Disconnect the power supply if long putting the air conditioner out of use.



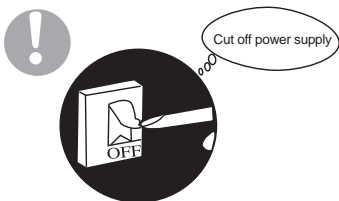
Otherwise, the accumulated dusts may cause overheating or fire.

★ Never damage the electric wire or use the electric wire which is not appointed.



Otherwise, it will cause overheating or fire.

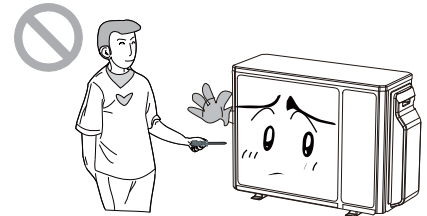
★ When cleaning, it is necessary to stop driving and turn off the power supply.



Otherwise, it may cause electric shock or damage.

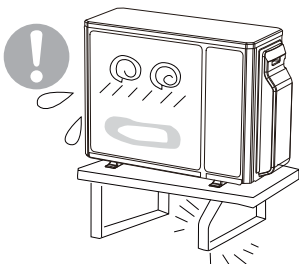
★ Rated voltage of this air conditioner 220-240V, 50Hz, The compressor will vibrate sharply if the voltage is too low. Damage to refrigerating system. Electrical component are easy to damage if the voltage is too high.

★ Don't attempt to repair the air conditioner by yourself.



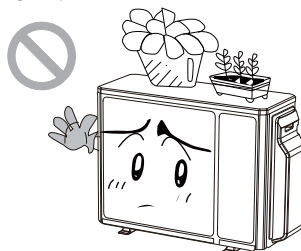
The wrong repair will lead to an electric shock or fire, so you should contact the service center to repair.

★ Please note whether the installed stand is firm enough or not.



If it is damaged, it may lead to the fall of the unit and cause the injury.

★ Don't step on the top of the outdoor unit or place something on it.



As falling off the outdoor unit can be dangerous.

★ Earthing: The unit must be reliably earthed. The earthing cable shall be connected to the special earthing device in the construction.



MUEX-14-H3.2

MUEX-18-H3.2

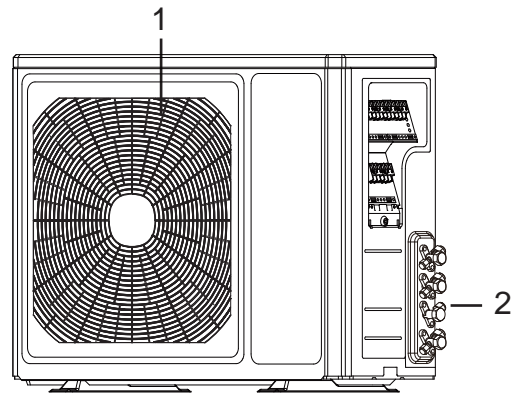
Warning

- Be sure to cut off the power supply before cleaning the air conditioner; otherwise electric shock might happen.
- Wetting of air conditioner may cause the risk of electric shock. Make sure not to wash your air conditioner in any case.
- Volatile liquids such as thinner or gasoline will cause damage to the appearance of air conditioner. (Only use a damp cloth to clean the air conditioner cabinet).
- This product must not be disposed together with the domestic waste. This product has to be disposed at an authorized place for recycling of electrical and electronic appliances.
- The temperature of refrigerant circuit will be high, please keep the interconnection cable away from the copper tube.



OUTDOOR UNIT	
No.	Description
1	Air outlet grille
2	Valve

Note: The above figures are only intended to a simple diagram of the appliance and may not correspond to the appearance of the units that have been purchased.



MUEX-24-H3.3

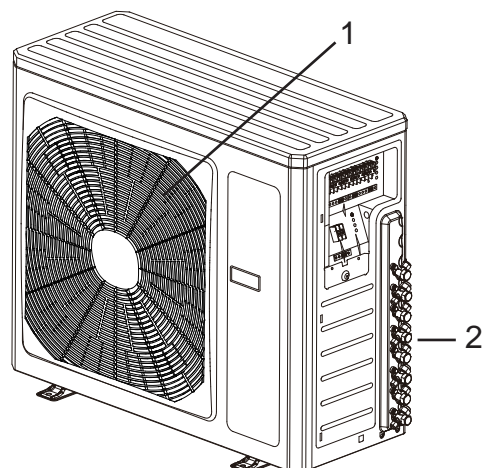
MUEX-28-H3.4

Warning

- If the supply cord is damaged, it must be replaced by the manufacturer or its service agent or a similarly qualified person in order to avoid a hazard.
- Be sure to cut off the power supply before cleaning the air conditioner; otherwise electric shock might happen.
- Wetting of air conditioner may cause the risk of electric shock. Make sure not to wash your air conditioner in any case.
- Volatile liquids such as thinner or gasoline will cause damage to the appearance of air conditioner. (Only use a damp cloth to clean the air conditioner cabinet).
- Do not dispose this product as unsorted municipal waste. Collection of such waste separately for special treatment is necessary.
- The temperature of refrigerant circuit will be high, please keep the interconnection cable away from the copper tube.

OUTDOOR UNIT	
No.	Description
1	Air outlet grille
2	Valve

Note: The above figures are only intended to be a simple diagram of the appliance and may not correspond to the appearance of the units that have been purchased.



MUEX-42-H3.5

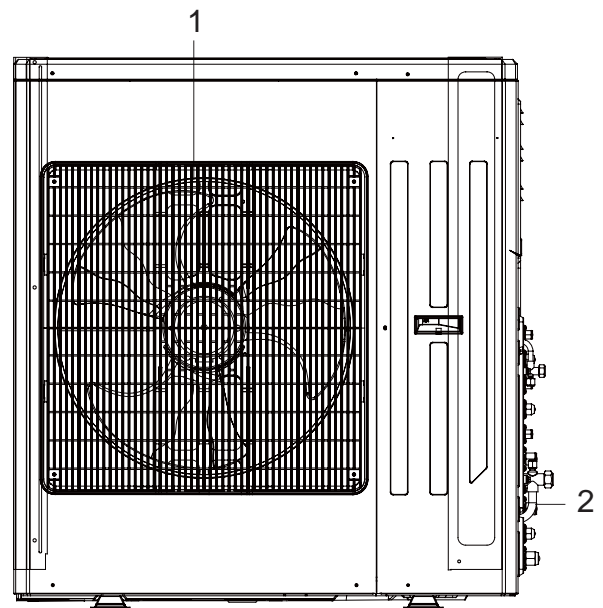
Warning

- Be sure to cut off the power supply before cleaning the air conditioner; otherwise electric shock might happen.
- Wetting of air conditioner may cause the risk of electric shock. Make sure not to wash your air conditioner in any case.
- Volatile liquids such as thinner or gasoline will cause damage to the appearance of air conditioner. (Only use a damp cloth to clean the air conditioner cabinet).
- This product must not be disposed together with the domestic waste. This product has to be disposed at an authorized place for recycling of electrical and electronic appliances.
- The temperature of refrigerant circuit will be high, please keep the interconnection cable away from the copper tube.



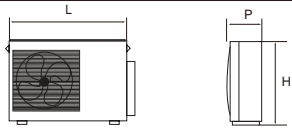
OUTDOOR UNIT	
No.	Description
1	Air outlet grille
2	Valve

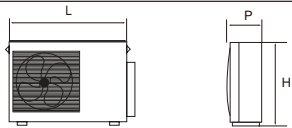
Note: The above figures are only intended to a simple diagram of the appliance and may not correspond to the appearance of the units that have been purchased.

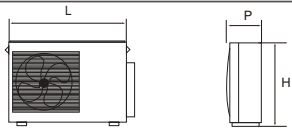


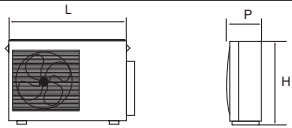
	Indoor side DB/WB(°C)	Outdoor side DB/WB(°C)
Maximum cooling	32/23	43/26
Maximum heating	27/-	24/18

- The operating temperature range (outdoor temperature) is -15°C ~24°C

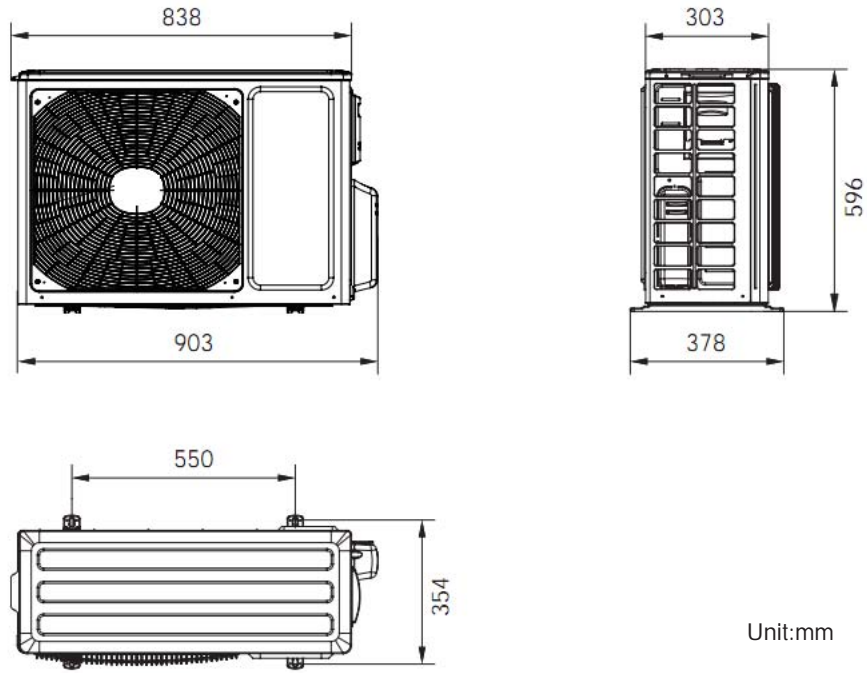
MODEL	MUEX-14-H3.2		
Electrical data			
Electricity supply	220-240V~,50Hz		
Fuse or air switch	10		
Minimum power cord section	1.5 mm ²		
Size and clearance			
	L	899	mm
	P	378	mm
	H	596	mm

MODEL	MUEX-18-H3.2		
Electrical data			
Electricity supply	220-240V~,50Hz		
Fuse or air switch	20		
Minimum power cord section	2.5 mm ²		
Size and clearance			
	L	890	mm
	P	362	mm
	H	700	mm

MODEL	MUEX-24-H3.3	MUEX-28-H3.4	
Electrical data			
Electricity supply	220-240V~,50Hz		
Fuse or air switch	25		
Minimum power cord section	2.5 mm ²		
Size and clearance			
	L	920	mm
	P	380	mm
	H	790	mm

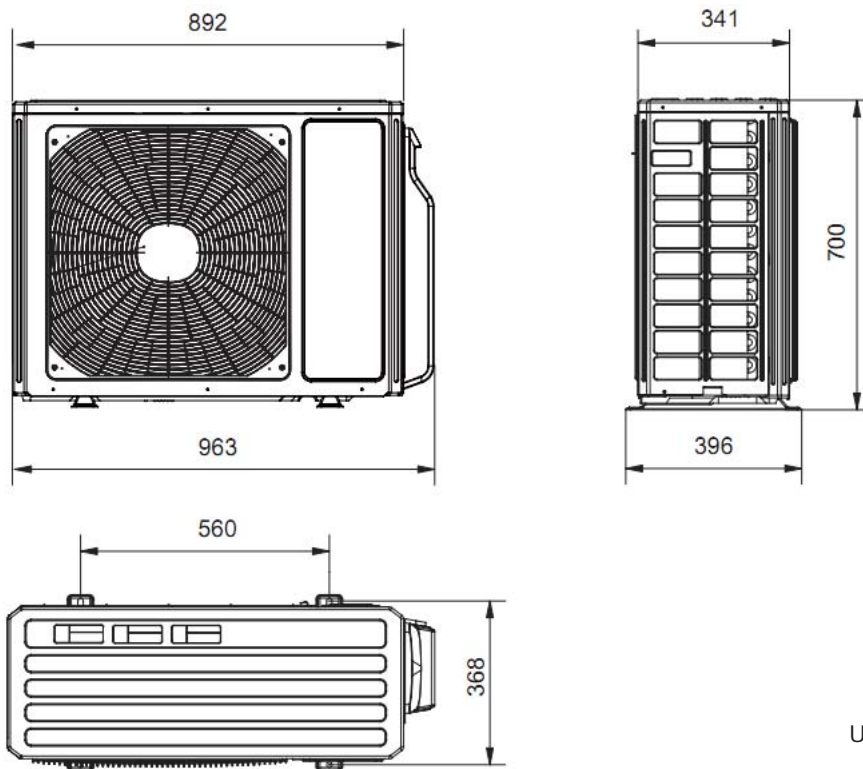
MODEL	MUEX-42-H3.5		
Electrical data			
Electricity supply	220-240V~,50Hz		
Fuse or air switch	32		
Minimum power cord section	4 mm ²		
Size and clearance			
	L	1015	mm
	P	362	mm
	H	1103	mm

MUEX-14-H3.2



Unit:mm

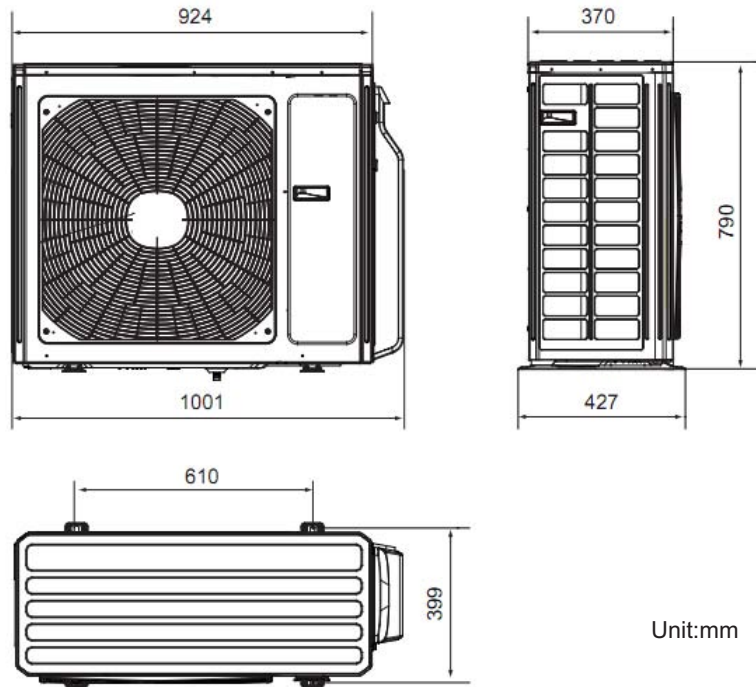
MUEX-18-H3.2



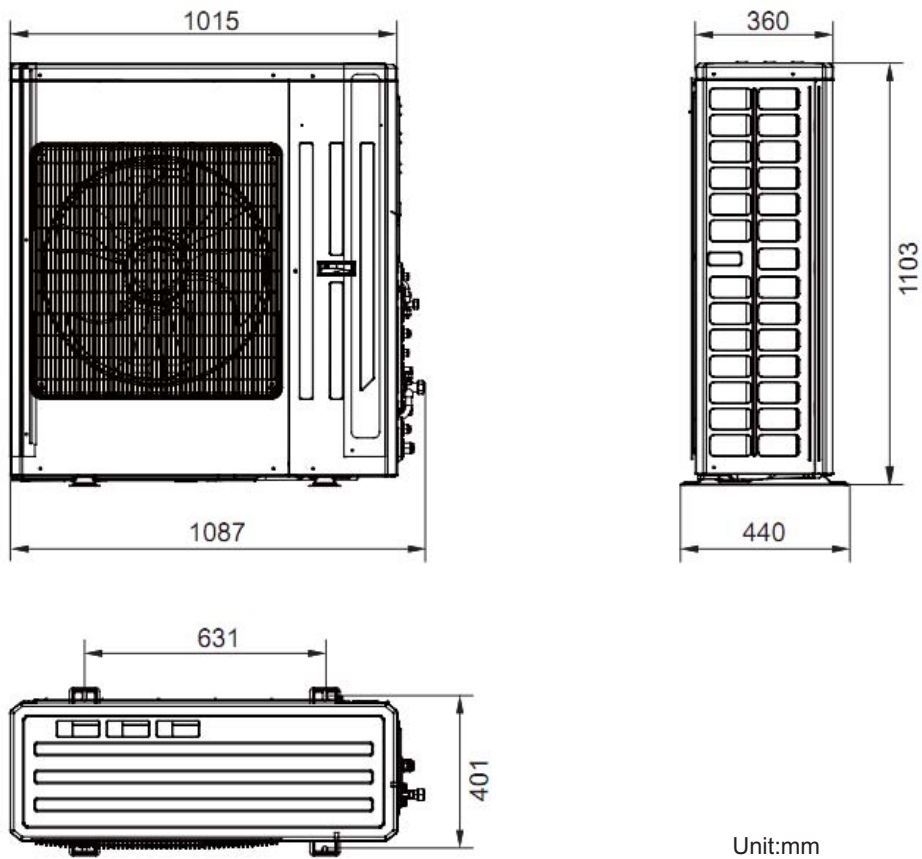
Unit:mm

MUEX-24-H3.3

MUEX-28-H3.4



MUEX-42-H3.5



MUEX-14-H3.2

MUEX-18-H3.2

1. Remove the handle at the right side plate of the outdoor unit (one screw).
2. Remove the cable clamp, connect the power connection cable with the terminal at the row of connection and fix the connection. The fitting line distributing must be consistent with the indoor unit. Wiring should meet that of indoor unit.
3. Fix power connection wire by wire clamp.
4. Ensure wire has been fixed well.
5. Install the handle.



An all-pole disconnection switch having a contact separation of at least 3mm in all pole should be connected in fixed wiring.



Wrong wire connection may cause malfunction of some electric components. After fixing cable, ensure that leads between connection point have some space.



The connection pipes and the connecting wirings of the unit A and unit B must be corresponding to each other respectively.



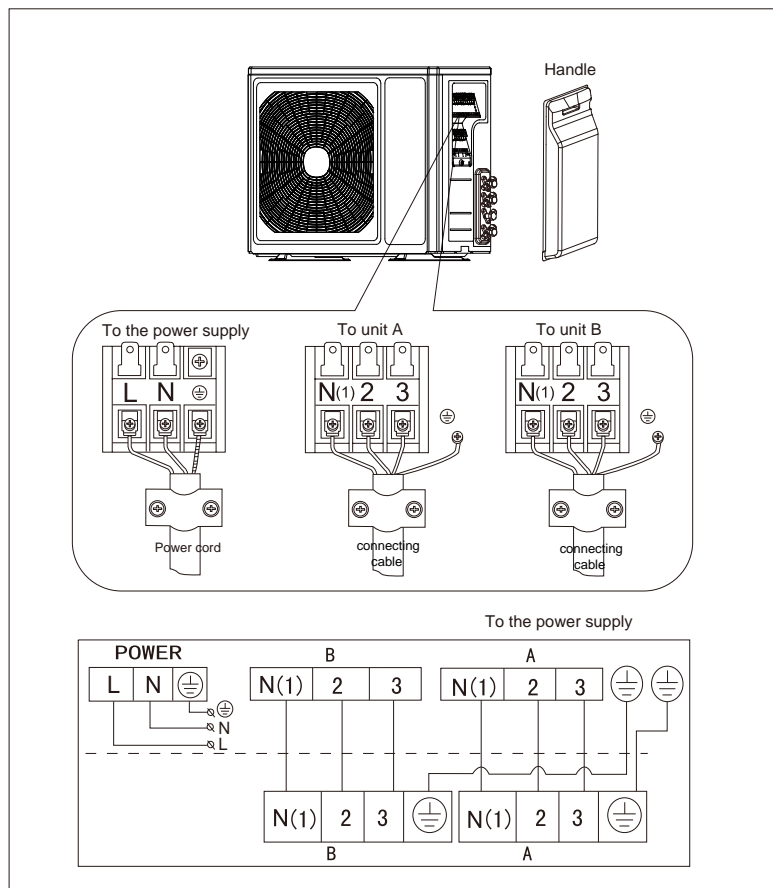
The appliance shall be installed in accordance with national wiring regulations.



Including an air switch with suitable capacity, please note the following table. Air switch should be included magnet buckle and heating buckle function, it can protect the circuit-short and overload. (Caution: please do not use the fuse only for protect the circuit)

Note: the above figures are only intended to be a simple diagram of the appliance and may not correspond to the appearance of the units that have been purchased.

Model	Air switch capacity
MUEX-14-H3.2	10A
MUEX-18-H3.2	20A



MUEX-24-H3.3

1. Remove the handle at the right side plate of the outdoor unit (one screw).
3. Fix power connection wire by wire clamp.
2. Remove the cable clamp, connect the power connection cable with the terminal at the row of connection and fix the connection. The fitting line distributing must be consistent with the indoor unit. Wiring should meet that of indoor unit.
4. Ensure wire has been fixed well.
5. Install the handle.

! Including an air switch with suitable capacity, please note the following table. Air switch should be included magnet buckle and heating buckle function, it can protect the circuit-short and overload. (Caution: please do not use the fuse only for protect the circuit)

Model	Air switch capacity
MUEX-24-H3.3	25A

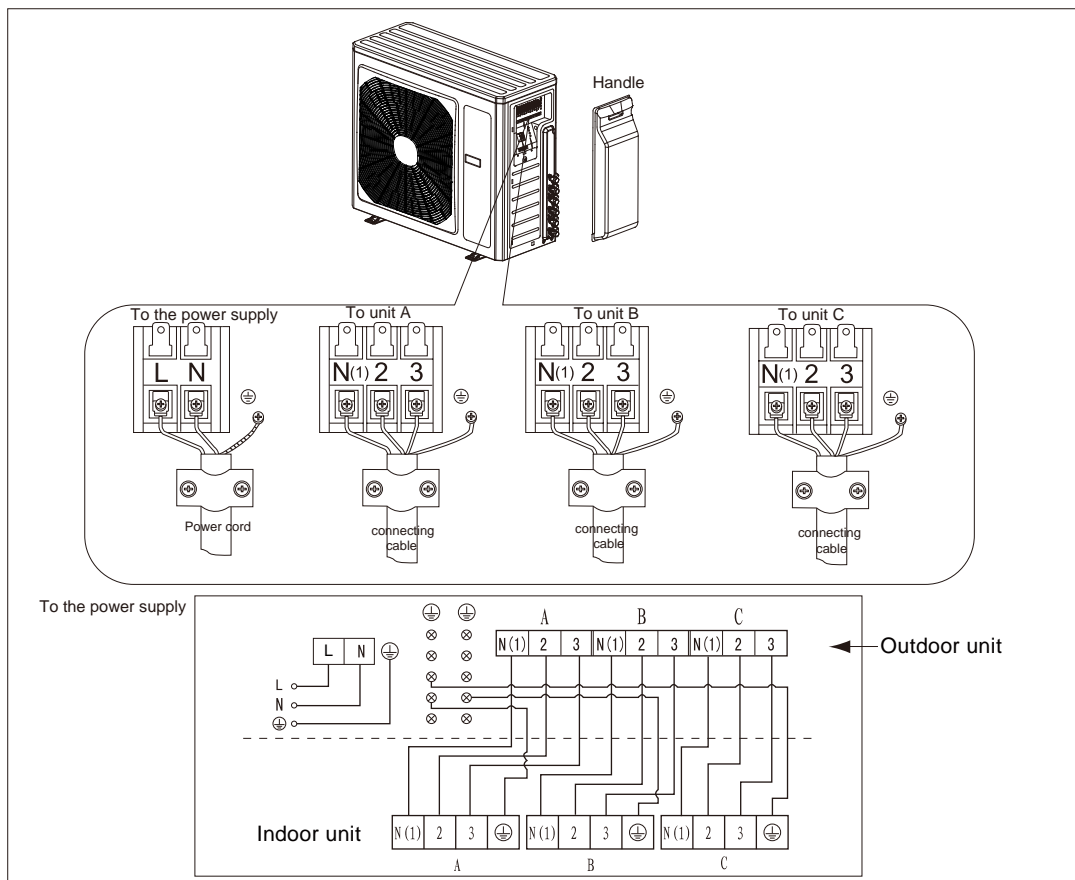
! An all-pole disconnection switch having a contact separation of at least 3mm in all pole should be connected in fixed wiring.

! Wrong wire connection may cause malfunction of some electric components. After fixing cable, ensure that leads between connection to fixed point have some space.

! The connection pipes and the connecting wirings of the unit A ,unit B and unit C must be corresponding to each other respectively.

! The appliance shall be installed in accordance with national wiring regulations.

Note: The above figures are only intended to be a simple diagram of the appliance and may not correspond to the appearance of the units that have been purchased.



MUEX-28-H3.4

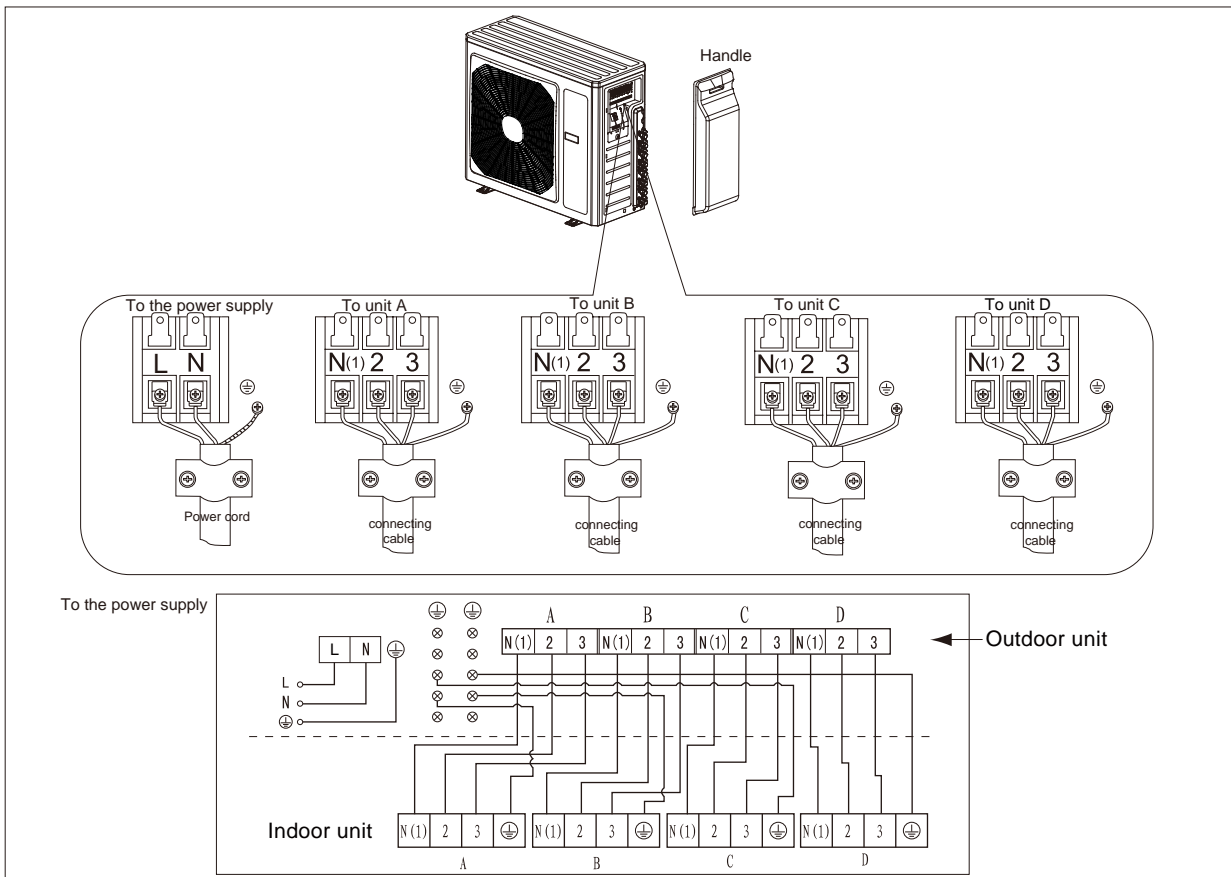
1. Remove the handle at the right side plate of the outdoor unit (one screw).
3. Fix power connection wire by wire clamp.
2. Remove the cable clamp, connect the power connection cable with the terminal at the row of connection and fix the connection. The fitting line distributing must be consistent with the indoor unit. Wiring should meet that of indoor unit.
4. Ensure wire has been fixed well.
5. Install the handle.

! Including an air switch with suitable capacity, please note the following table. Air switch should be included magnet buckle and heating buckle function, it can protect the circuit-short and overload. (Caution: please do not use the fuse only for protect the circuit)

Model	Air switch capacity
MUEX-28-H3.4	25A

- !** An all-pole disconnection switch having a contact separation of at least 3mm in all pole should be connected in fixed wiring.
- !** Wrong wire connection may cause malfunction of some electric components. After fixing cable, ensure that leads between connection to fixed point have some space.
- !** The connection pipes and the connecting wirings of the unit A, unit B, unit C and unit D must be corresponding to each other respectively.
- !** The appliance shall be installed in accordance with national wiring regulations.

Note: The above figures are only intended to be a simple diagram of the appliance and may not correspond to the appearance of the units that have been purchased.



MUEX-42-H3.5

1. Remove the handle at the right side plate of the outdoor unit (one screw).
2. Remove the cable clamp, connect the power connection cable with the terminal at the row of connection and fix the connection. The fitting line distributing must be consistent with the indoor unit. Wiring should meet that of indoor unit.
4. Ensure wire has been fixed well.
5. Install the handle.



An all-pole disconnection switch having a contact separation of at least 3mm in all pole should be connected in fixed wiring.



Wrong wire connection may cause malfunction of some electric components. After fixing cable, ensure that leads between connection to fixed point have some space.



The connection pipes and the connecting wirings of the unit A, unit B, unit C, unit D and unit E must be corresponding to each other respectively.



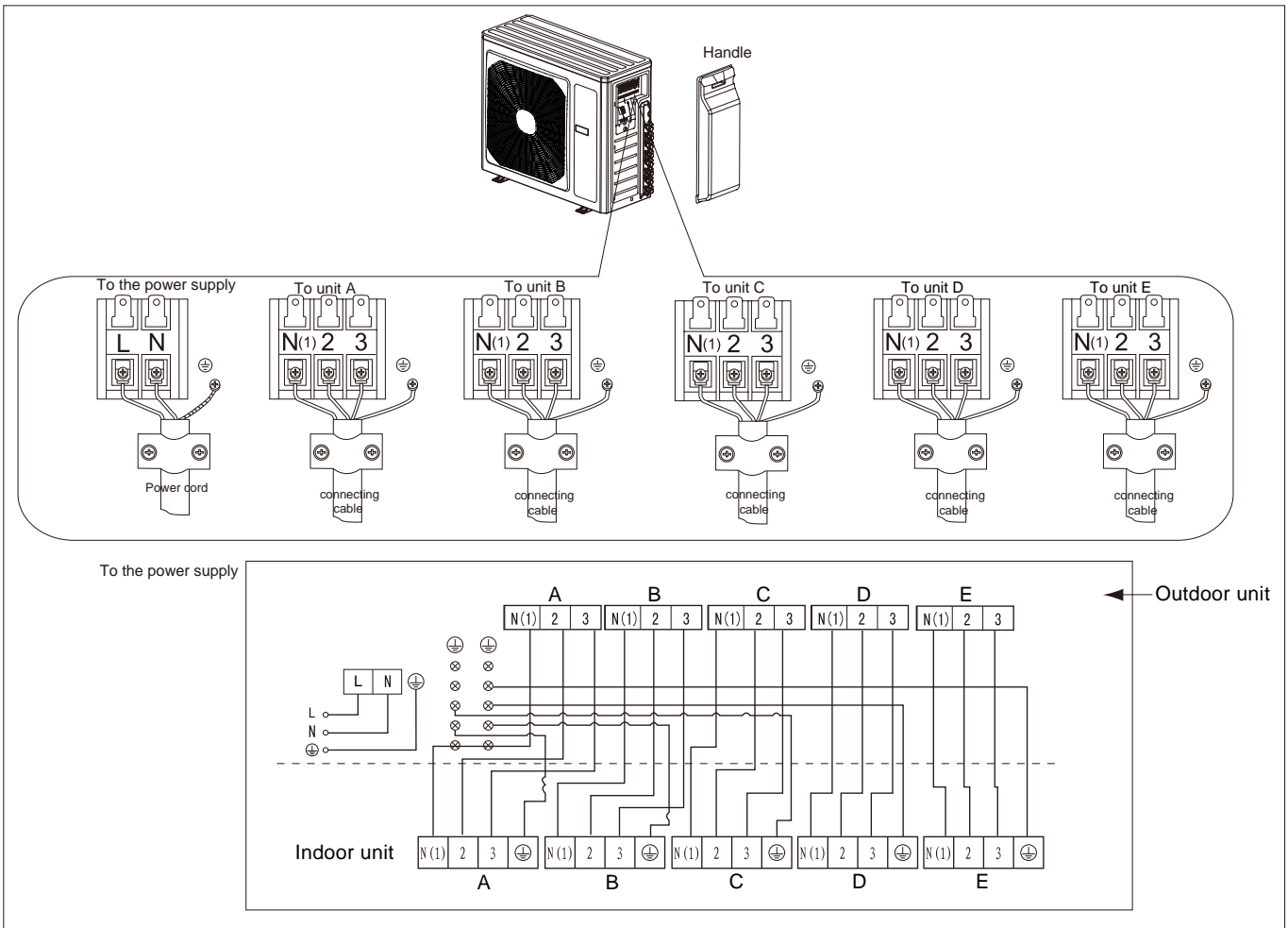
The appliance shall be installed in accordance with national wiring regulations.



Including an air switch with suitable capacity, please note the following table. Air switch should be included magnet buckle and heating buckle function, it can protect the circuit-short and overload. (Caution: please do not use the fuse only for protect the circuit)

Model	Air switch capacity
MUEX-42-H3.5	32A

Note: The above figures are only intended to be a simple diagram of the appliance and may not correspond to the appearance of the units that have been purchased.



Location

⚠ Use bolts to secure the unit to a flat, solid floor. When mounting the unit on a wall or the roof, make sure the support is firmly secured so that it cannot move in the event of intense vibrations or a strong wind.

- Do not install the outdoor unit in pits or air vents

Installing the pipes

⚠ Use suitable connecting pipes and equipment for the refrigerant R410A.

Models(m)	14Kx2	18Kx2	24Kx3	28Kx4	42Kx5
Max. connection pipe length	20	20	60	70	80
Max. connection pipe length (Simple one indoor unit)	10	10	20	20	25

The sum of the capacity codes of the indoor unit should be among 50%-150% of that of the outdoor unit.

⚠ The refrigerant pipes must not exceed the maximum heights 5m(14K & 18K), 10m(24K& 28K) or 15m (42K).

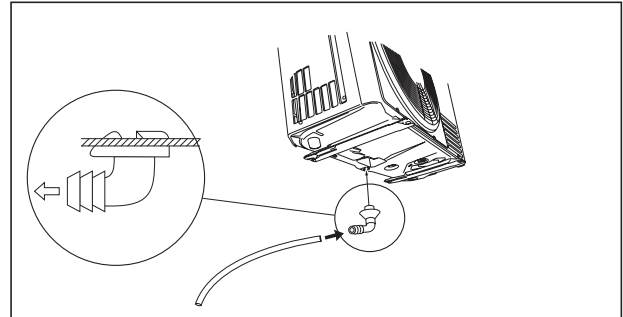
⚠ Wrap all the refrigerant pipes and joints.

⚠ Tighten the connections using two wrenches working in opposite directions.

Caution: Installation Must be Performed in Accordance with the NEC/CEC by Authorized Personnel Only.

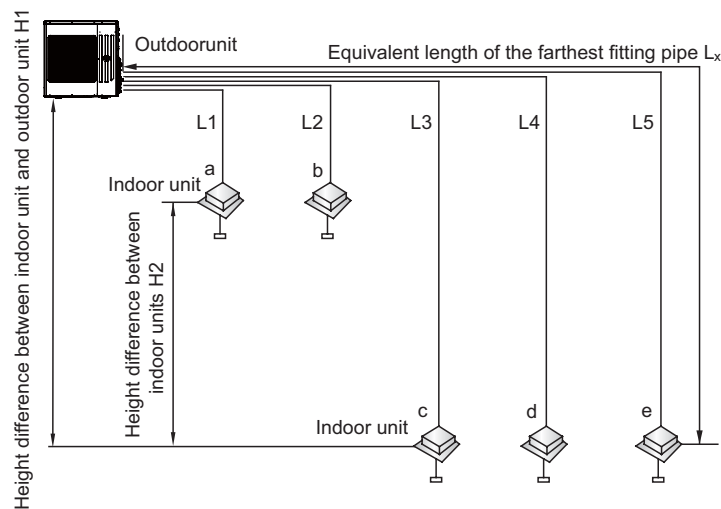
Install the drain fitting and the drain hose

Condensation is produced and flows from the outdoor unit when the appliance is operating in the heating mode. In order not to disturb neighbours and to respect the environment, install a drain fitting and a drain hose to channel the condensate water. Install the drain fitting and rubber washer on the outdoor unit chassis and connect a drain hose to it as shown in the figure.



Dimension of the refrigerant pipe of the indoor unit (only for 42K)

		Allowable Length	Refrigerant Pipe
Total Length(m)		80	$L_1+L_2+L_3+ L_4+ L_5$
Max. Length for Single Unit(m)		25	L_x
Max. installation altitude	Outdoor unit and indoor unit	15	H1
	Indoor unit and indoor unit	7.5	H2



Pipe dimensions

Capacity Level of the Indoor Unit	Gas Pipe	Liquid Pipe
09,12	9.52 (3/8")	6.35 (1/4")
18	12.7 (1/2")	6.35 (1/4")
21,24	15.9 (5/8")	9.52 (3/8")

If the total refrigerant pipe length (liquid pipe) is smaller than that listed in the table below, no additional refrigerant will be charged.

Model	Total Liquid Pipe Length (a+b+c+d+e)
MUEX-14-H3.2 MUEX-18-H3.2	≤ 20m
MUEX-24-H3.3	≤ 30m
MUEX-28-H3.4	≤ 40m
MUEX-42-H3.5	≤ 50m

Additional Refrigerant Charge=ΣExtra Liquid Pipe Length×22g/m

Note: if the total refrigerant pipe length is larger than that listed in the table above, the additional refrigerant for the extra length of the pipe needs to be charged as per 22g/m.

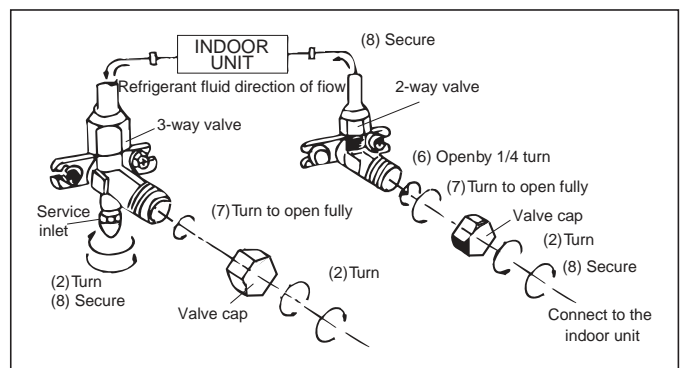
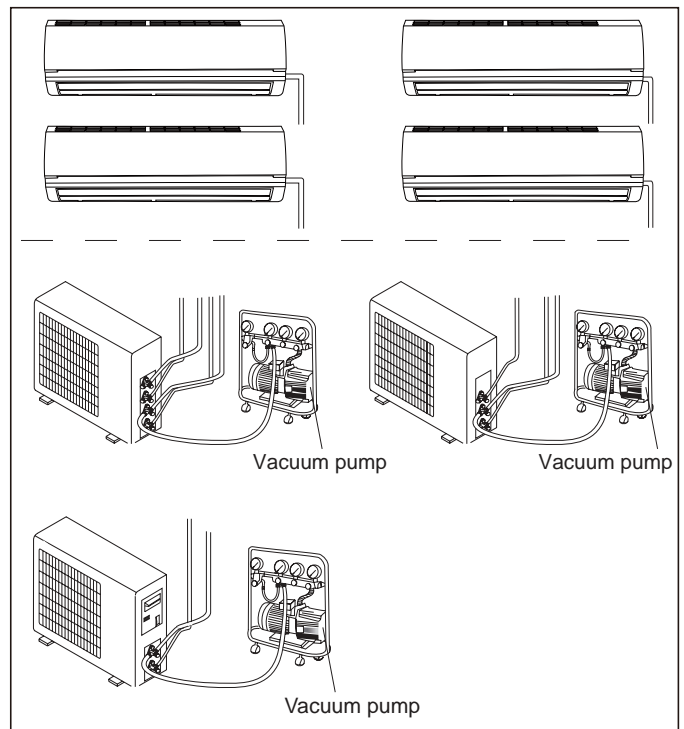
BLEEDING

INSTALLER

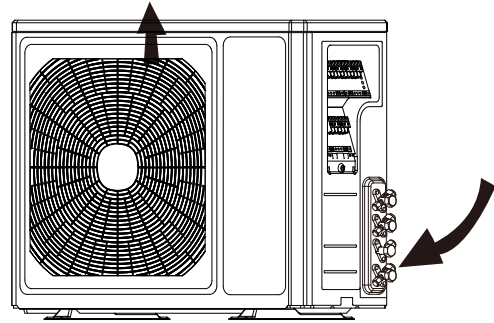
Humid air left inside the refrigerant circuit can cause compressor malfunction. After having connected the indoor and outdoor units, bleed the air and humidity from the refrigerant circuit using a vacuum pump.

- (1) Unscrew and remove the caps from the 2-way and 3-way valves.
- (2) Unscrew and remove the cap from the service valve.
- (3) Connect the vacuum pump hose to the service valve.
- (4) Operate the vacuum pump for 10-15 minutes until an absolute vacuum of 10 mm Hg has been reached.
- (5) With the vacuum pump still in operation, close the low-pressure knob on the vacuum pump coupling. Stop the vacuum pump.
- (6) Open the 2-way valve by 1/4 turn and then close it after 10 seconds. Check all the joints for leaks using liquid soap or an electronic leak device.
- (7) Turn the body of the 2-way and 3-way valves. Disconnect the vacuum pump hose.
- (8) Replace and tighten all the caps on the valves.

Diameter (mm)	Twisting moment (N.m)
Φ6	15-20
Φ9.52	35-40
Φ12	45-50
Φ16	60-65
Φ19	70-75



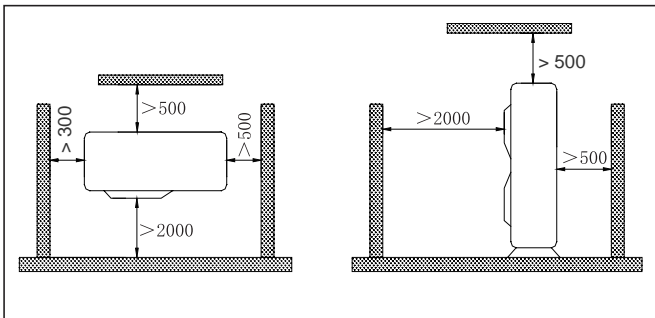
- ⚠ Use suitable instruments for the refrigerant R410A.
- Do not use any other refrigerant than R410A.
- ⚠ Do not use mineral oils to clean the unit.



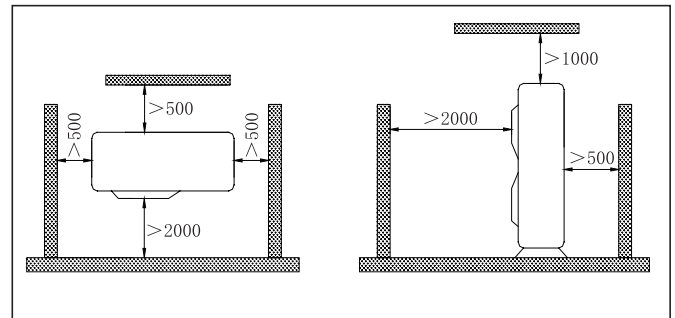
INSTALLATION DIMENSION DIAGRAM

- ⚠ The installation must be done by trained and qualified service personnel with reliability according to this manual.
- ⚠ Contact service center before installation to avoid the malfunction due to unprofessional installation.
- ⚠ When picking up and moving the units, you must be guided by trained and qualified person.
- ⚠ Ensure that the recommended space is left around the appliance.

Models 14K to 28K:



Model 42K:



Check Items	Problems Owing to Improper Installation
Is the installation reliable?	The unit may drop, vibrate or make noises
Has the gas leakage been checked?	May cause unsatisfactory cooling (heating) effect
Is the thermal insulation of the unit sufficient?	May cause condensation and water dropping
Is the drainage smooth?	May cause condensation and water dropping
Does the power supply voltage accord with the rated voltage specified on the nameplate?	The unit may bread down or the components may be burned out
Are the lines and pipelines correctly installed?	The unit may bread down or the components may be burned out
Has the unit been safely grounded?	Risk of electrical leakage
Are the models of lines in conformity with requirements?	The unit may bread down or the components may be burned out
Are there any obstacles near the air inlet and outlet of the indoor and outdoor units?	The unit may bread down or the components may be burned out
Have the length of refrigerating pipe and refrigerant charge amount been recorded?	It is not easy to decide the charge amount of refrigerant.

Note:

If the air conditioner still runs abnormally after the above check and handling, please contact the maintenance serviceman at the local appointed service center and also give a description of the error occurred as well as the model of the unit.

1. Requirement of malfunction display

When several malfunctions happen at the same time, malfunction codes will be displayed circularly.

2. Malfunction display method

(1) Hardware malfunction: it will be displayed immediately, please refer to "Malfunction status sheet";

(2) Operation status: it will be displayed immediately, please refer to "Malfunction status sheet";

(3) Other malfunction: It will be displayed after the compressor has been stopped for 200s, please refer to "Malfunction status sheet".

(Note: when the compressor starts up again, malfunction display waiting time (200s) will be cleared.)

3. Malfunction display control

Indoor unit displays malfunction code as shown in the sheet below. ODU communication light will be off for 1s and then blink for 1s circularly.

4. Viewing malfunction code through remote controller

Enter viewing malfunction code: pressing light button for 6 times within 3S to view malfunction code;

Exit viewing malfunction code: pressing light button for 6 times within 3S or after the malfunction code is displayed for 5min.

For models: MUEx-14-H3.2

MUEx-18-H3.2


MUEx-24-H3.3

MUEx-28-H3.4

Code	Description	Error Type
U8	Zero cross detection circuit malfunction	Outdoor hardware
C5	Malfunction protection of jumper cap	Outdoor hardware
H6	Feedback of without IDU motor	Indoor hardware
F1	Indoor ambient temperature sensor is open/short circuited	Indoor hardware
F2	Indoor evaporator temperature sensor is open/short circuited	Indoor hardware
b5	Liquid valve temperature sensor is open/short circuited	Outdoor hardware
b7	Gas valve temperature sensor is open/short circuited	Outdoor hardware
P7	Modular temperature sensor is open/short circuited	Outdoor hardware
F4	Outdoor ambient temperature sensor is open/short circuited	Outdoor hardware
A5	Outdoor condenser inlet pipe temperature sensor is open/short circuited (commercial)	Outdoor hardware
F4	Outdoor condenser middle pipe temperature sensor is open/short circuited	Outdoor hardware
A7	Outdoor condenser outlet pipe temperature sensor is open/short circuited (commercial)	Outdoor hardware
F5	Outdoor discharge pipe temperature sensor is open/short circuited	Outdoor hardware
E6	Communication malfunction	System Error
U1	Malfunction of phase current detection circuit for compressor	Outdoor hardware
HE	Compressor demagnetization protection	Outdoor hardware
U3	Malfunction of voltage dropping dor DC bus - bar	Outdoor hardware
P8	Module high temperature protection	Outdoor hardware
F0	Refrigerant lacking or blockage protection of system (not available for residential ODU)	System Error
PU	Charging malfunction of capacitor	Outdoor hardware
E1	High pressure protection of system	System Error
E3	Low pressure protection of system (reserved)	System Error
H3	Compressor overload protection	Outdoor hardware

Code	Description	Error Type
LP	Indoor unit and outdoor unit do not match	System Error
EE	Malfunction of memory chip	Outdoor hardware
dn	Wrong connection of communication wire or malfunction of electronic expansion valve	Outdoor hardware
U5	Malfunction of complete units current detection	Outdoor hardware
L3	Malfunction protection of outdoor fan 1	Outdoor hardware
dd	Detection status of wrong connection of communication wire or malfunction of electronic expansion valve	Outdoor hardware
E7	Mode conflict	System Error
Fo	Refrigerant recycling mode	Special Mode
AL	X-fan	-
H1	Defrosting or oil return in heating mode	Special Mode
Lc	Start failure of compressor	Outdoor hardware
E4	High discharge temperature protection of compressor	System Error
E8	Overload protection	Outdoor hardware
E5	Whole unit overcurrent protection	Outdoor hardware
P5	Compressor phase current protection	Outdoor hardware
H7	Compressor desynchronizing	Outdoor hardware
Ld	Compressor phase-lacking / phase-inverse protection	Outdoor hardware
H5	IPM modular protection	Outdoor hardware
PL	DC bus - bar low voltage protection	Outdoor hardware
PH	DC bus - bar high voltage protection	Outdoor hardware
HC	PFC protection	Outdoor hardware
U7	The for-way valve is abnormal	Outdoor hardware

For model: MUEX-42-H3.5

If some error occurs when the unit is running, the error code will be displayed on the wired controller and the main board  of the outdoor unit. See the table below for more details about the meaning of each error.

Code	Description	Error Type
ON	Normal running	-
08	Defrosting mode 1	Special Mode
0A	Defrosting mode 2	Special Mode
dd	Trial / Run operation	Special Mode
E1	High pressure protection	Outdoor
E2	Shutdown for whole unit anti-freeze protection	System Error
E3	Low pressure protection	Outdoor
E4	High discharge temp. Protection	Outdoor
E5	Whole unit over-current protection	Outdoor
E6	Communication error	Outdoor + Indoor
E8	Cooling overload protection	System Error
E9	Indoor unit water full error	Indoor
OC	Heating overload protection	System Error
F0	Refrigerant recovery mode	Special Mode
F3	Outdoor ambient temperature sensor error (RT2)	Outdoor
F4	Outdoor mid-coil temperature sensor error (RT1)	Outdoor
F5	Outdoor discharge temperature sensor error (RT3)	Outdoor
F7	Oil return for cooling	Special Mode
H1	Forced defrosting	Special Mode
H1	Oil return for heating or defrosting	Special Mode
H3	Compressor overheat protection	Drive error
H5	IPM protection	Drive error
H7	Motor desynchronizing	Drive error
Hc	PFC error	Drive error
Lc	Startup failure	Drive error
LA	DC fan motor error	Outdoor
H6	No indoor fan motor	Indoor
U1	Compressor phase circuit detection error	Outdoor
U3	DC link voltage drop error	Outdoor
U8	Zero detection circuit error	Outdoor
Ld	Phase loss	Drive error
L9	Too high power protection	System Error
LE	Compressor stalling	Outdoor
LF	Over-Speed	Drive error
P0	IPM reset	Drive error
P5	Compressor current protection	Drive error
P6	Communication error between the inverter drive and the main controller	Drive error
P7	Radiator temp. sensor error	Drive error
P8	Radiator overheat protection	Drive error
P9	AC contactor protection	Drive error
Pc	Current sensor error	Drive error
Pd	Sensor connection protection	Drive error
PH	Over voltage protection	Drive error
PL	Low voltage protection	Drive error
PE	Temp. Drift protection	Drive error
PF	Drive board ambient temperature sensor error	Drive error
PA	AC current protection	Drive error
PU	Charging circuit error	Drive error
PP	AC input voltage anomaly	Drive error

Code	Description	Error Type
11	Unit A comunication error	Indoor A
12	Unit A indoor pipe midway temperature sensor error (Indoor RT2 or RT4)	
13	Unit A indoor unit pipe outlet temperature sensor error (RT7)	
14	Unit A indoor pipe inlet temperatue sensor error (RT6)	
15	Unit A indoor ambient temperature sensor error (Indoor RT1)	
16	Unit A mode conflict	
17	Unit A anti-freezing protection	
21	Unit B comunication error	Indoor B
22	Unit B indoor pipe midway temperature sensor error (Indoor RT2 or RT4)	
23	Unit B indoor unit pipe outlet temperature sensor error (RT9)	
24	Unit B indoor pipe inlet temperatue sensor error (RT8)	
25	Unit B indoor ambient temperature sensor error (Indoor RT1)	
26	Unit B mode conflict	
27	Unit B anti-freezing protection	Indoor C
31	Unit C comunication error	
32	Unit C indoor pipe midway temperature sensor error (Indoor RT2 or RT4)	
33	Unit C indoor unit pipe outlet temperature sensor error (RT11)	
34	Unit C indoor pipe inlet temperatue sensor error (RT10)	
35	Unit C indoor ambient temperature sensor error (Indoor RT1)	
36	Unit C mode conflict	
37	Unit C anti-freezing protection	Indoor D
41	Unit D comunication error	
42	Unit D indoor pipe midway temperature sensor error (Indoor RT2 or RT4)	
43	Unit D indoor unit pipe outlet temperature sensor error (RT13)	
44	Unit D indoor pipe inlet temperatue sensor error (RT12)	
45	Unit D indoor ambient temperature sensor error (Indoor RT1)	
46	Unit D mode conflict	
47	Unit D anti-freezing protection	Indoor E
51	Unit E comunication error	
52	Unit E indoor pipe midway temperature sensor error (Indoor RT2 or RT4)	
53	Unit E indoor unit pipe outlet temperature sensor error (RT15)	
54	Unit E indoor pipe inlet temperatue sensor error (RT14)	
55	Unit E indoor ambient temperature sensor error (Indoor RT1)	
56	Unit E mode conflict	
57	Unit E anti-freezing protection	-
C5	Jumper terminal error	-

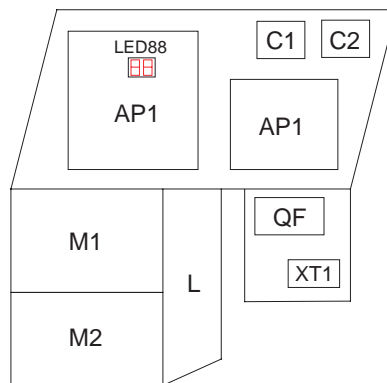


Fig. Outdoor Unit: MUEX-42-H3.5

(Note: Refer to the real products for the exact position of each component.)

Once errors are displayed on the controller, please shut off the air conditioning unit and contact the professionally skilled personnel for troubleshooting.



ASK FOR MORE INFORMATION:

Phone: 93 446 27 80 - Fax: 93 456 90 32

eMail: mundoclima@salvadorescoda.com

TECHNICAL ASSISTANCE:

Phone: 93 652 53 57 - Fax: 93 635 45 08