



06 AIR CURTAINS FOR COMMERCIAL AND INDUSTRIAL DOORS

WINDBOX SMG

MUND^{CLIMA}

- Self-supporting casing construction made of galvanized plated steel, finished in structural epoxy-polyester RAL 9016 as standard. Other colours or stainless steel construction are available on request.
- Centrifugal double-inlet fans driven by an external rotor motor with built-in thermal protection contact. Provided with 5-speed selection. Very low noise level.
- Micro-perforated inlet grille with filter functions and easy service. It does not need prefilter.
- "E" type includes electrical shielded element, 3 power stages with power switches included. "A" type is without heating, air only.
- Anodised aluminium outlet vanes, airfoil shaped, adjustable from 0 to 15° each side.
- Control panel and infrared remote control IR include. 20 m of telephone cable with fast connectors type RJ45 (Plug&Play).

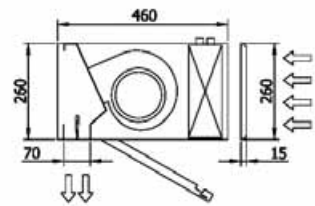
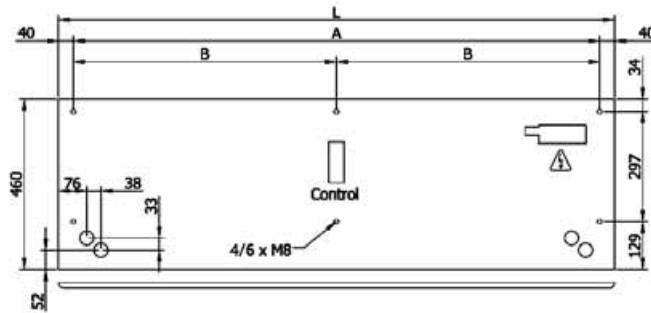
Code	Model	Nominal air flow m ³ /h	Power 3x400V kW	Noise level dB(A)	Weight Kg
EC 06 606	S 1000 A	1300	-	53	34
EC 06 607	S 1000 E	1300	3/6/9	53	41
EC 06 608	S 1500 A	1950	-	54	50
EC 06 609	S 1500 E	1950	4/8/12	54	62
EC 06 610	S 2000 A	2600	-	55	62
EC 06 612	S 2000 E	2600	6/12/18	55	80
EC 06 613	S 2500 A	3250	-	56	66
EC 06 616	S 2500 E	3250	6/12/18	56	86
EC 06 617	S 3000 A	3900	-	57	76
EC 06 620	S 3000 E	3900	8/16/24	57	99
EC 06 621	M 1000 A	1850	-	54	34
EC 06 624	M 1000 E	1850	3/6/9	54	41
EC 06 625	M 1500 A	2775	-	55	50
EC 06 628	M 1500 E	2775	4/8/12	55	62
EC 06 629	M 2000 A	3700	-	56	62
EC 06 632	M 2000 E	3700	6/12/18	56	80
EC 06 633	M 2500 A	4625	-	57	66
EC 06 636	M 2500 E	4625	6/12/18	57	86
EC 06 637	M 3000 A	5550	-	58	76
EC 06 640	M 3000 E	5550	8/16/24	58	99
EC 06 641	G 1000 A	2775	-	55	38
EC 06 644	G 1000 E	2775	5/10/15	55	46
EC 06 645	G 1500 A	3700	-	56	55
EC 06 648	G 1500 E	3700	7,5/15/22,5	56	68
EC 06 649	G 2000 A	5550	-	57	72
EC 06 652	G 2000 E	5550	10/20/30	57	90
EC 06 653	G 2500 A	6475	-	58	76
EC 06 656	G 2500 E	6475	10,7/21,3/32	58	96
EC 06 657	G 3000 A	7400	-	59	86
EC 06 660	G 3000 E	7400	10,7/21,3/32	59	109

INSTALLATION OPTIONS:



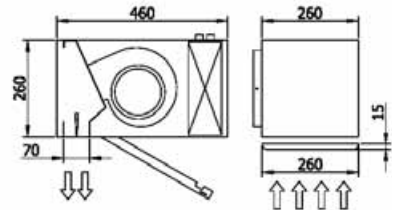
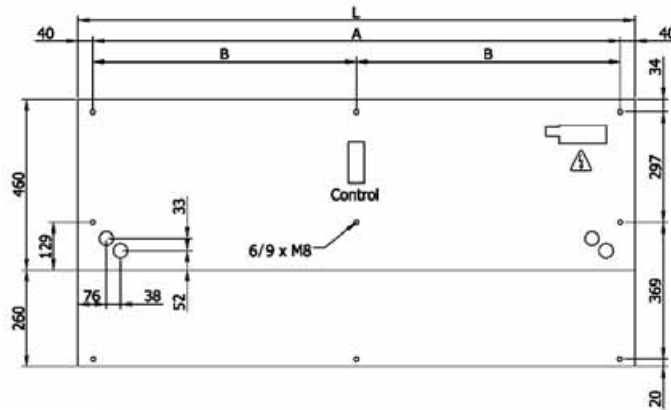
SUCTION + DISCHARGE + PLENUM KIT CONCEALED INSTALLATION S, M, G	
Code	Model
EC 06 071	1000
EC 06 072	1500
EC 06 073	2000
EC 06 074	2500
EC 06 075	3000

PLENUM SURFACE-MOUNTED INSTALLATION S, M, G	
Code	Model
EC 06 081	1000
EC 06 082	1500
EC 06 083	2000
EC 06 084	2500
EC 06 085	3000



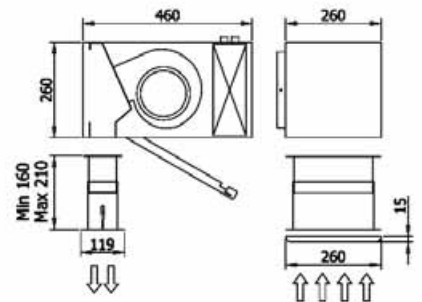
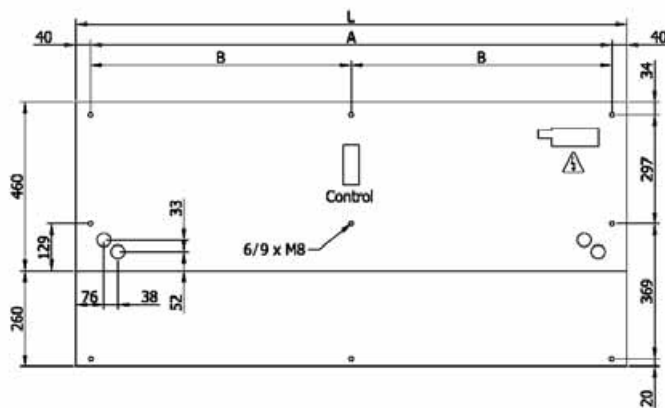
L	A	B
1000	920	-
1500	1420	710
2000	1920	960
2500	2420	1210
3000	2920	1710

Free hanging mounting



L	A	B
1000	920	-
1500	1420	710
2000	1920	960
2500	2420	1210
3000	2920	1710

Inside ceiling surface mounting



L	A	B
1000	920	-
1500	1420	710
2000	1920	960
2500	2420	1210
3000	2920	1710

False ceiling invisible mounting