

## 20 1x1 INVERTER WALL SPLIT MUPR-H3 serial

MUNDOCLIMA<sup>®</sup>

**SCOP  
3.4**

**SUPER DC  
INVERTER**

**A** ENERGETIC EFFICIENCY CLASS "A"

- **TURBO MODE:** With this function, the air conditioner will maximize the output of cooling or heating capacity, make the room cool down or heat up rapidly, and attain the desired temperature in the shortest time.
- **SLEEP MODE:** This function enables the unit to automatically increase (cooling) or decrease (heating) 1°C per hour for the first two hours, then hold steady for the next 5 hours, after that the unit will stop operation. It can maintain the optimal temperature and save energy.



### SPECIFICATION:

MODEL		MUPR-09-H3	MUPR-12-H3	MUPR-18-H3	MUPR-24-H3
Code		CL 20 801	CL 20 802	CL 20 803	CL 20 804
<b>CAPACITY</b>					
Cooling (pdesignc )	kW	2.7	3.2	5.0	6.6
	Btu/h	9,212	11,260	17,060	22,519
Heating (pdesignh)	kW	2.9	3.4	5.1	7.0
	Btu/h	9,895	11,601	17,401	23,884
Cooling consumption	W	820	1,000	1,550	2,050
Heating consumption	W	730	890	1,450	2,030
<b>PERFORMANCE</b>					
SEER	W/W	5.5	5.4	5.6	5.5
Energy Rate	Cooling	A	A	A+	A
SCOP	W/W	3.4	3.4	3.4	3.5
Energy Rate	Heating	A	A	A	A
Tbivalent	°C	-7	-5	-6	-7
Tol	°C	-15	-15	-15	-15
Indoor air flow volume	m <sup>3</sup> /h	450/400/350	500/420/350	820/650/460	820/650/460
Outdoor air flow volume	m <sup>3</sup> /h	1,800	1,800	2,200	2,700
Indoor sound pressure	dB(A)	36/33/29	42/36/31	47/45/38	48/45/43
Outdoor sound pressure	dB(A)	55	55	57	60
Indoor sound power (Hi)	dB(A)	53	54	56	63
Outdoor sound power (Hi)	dB(A)	63	63	65	66
<b>DIMENSION &amp; WEIGHT &amp; PIPING SIZE</b>					
Net Dimension (WxHxD)	Indoor (mm)	710x250x189	790x275x196	930x275x198	1036x315x230
	Outdoor (mm)	780x540x250	780x540x250	760x590x285	845x695x335
Net Weight	Indoor (Kg)	6.5	8	9	12.5
	Outdoor (Kg)	29.5	29.5	35	50
Piping Size	Liquid	1/4"	1/4"	1/4"	3/8"
	Gas	3/8"	3/8"	1/2"	5/8"

Remark: 1.The above design and specifications are subject to change of product improvement without prior notice .  
2.The noise level data reflects the level in anechoic chamber.



### Auto Restart

If the air conditioner breaks off unexpectedly due to the power cut, it will restart with the previous function setting automatically when the power resumes.



### Emergency Using Function

When temperature sensor error happens, the air conditioner will display error code and stop immediately.



### Intelligent Anti-cold-air Function

When starting the heating operation, the fan speed is regulated automatically from the lowest grade to the preset level, according to the temperature rising of evaporator. This function can prevent cold air blowing out at the beginning of the operation, which avoids the discomfort to the user.



### Wide Operation Range

Up to 25 stages (F1~F25) of compressor frequency, and frequency range increased around 70%. More comfortable and energy saving due to smooth and accurate control. With advanced frequency-adjusting technology, compressor preheating function and the electrical heating belts, the unit can operate heating as low as -20°C.



### Cold Catalyst Filter

Eliminate formaldehyde and other volatile organic compounds (VOCs) as well as harmful gases and odors.



### Turbo Operation

With this function, the air conditioner will maximize the output of cooling or heating capacity, make the room cool down or heat up rapidly, and attain the desired temperature in the shortest time.



### Refrigerant Leakage Detect

With this new technology, the indoor unit will alarm when the outdoor unit detects a condition of refrigerant leakage.



### Multi indoor fan speeds

With up to 12 indoor fan speeds, a more comfortable air flow is provided.



### Low Ambient Cooling

The air conditioner with a special built-in Low Ambient Kit can be used in temperature as low as -15°C for cooling operation.



### Temperature Compensation

Based on different installation height of indoor unit, the temperature deviation of the sensor sensed against the jumping wires combination on the indoor PCB is possible to compensate the deviation.



### 5 Grades Outdoor Fan Speeds

Due to the DC fan motor, outdoor fan speeds increased from 2 grades to 5 grades, more comfortable and energy saving.

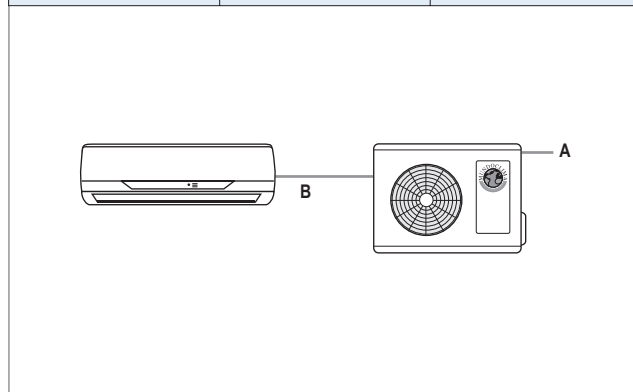


### 1W Standby

Intelligent on-off technology enables Midea products automatically enter energy-saving mode when standby, cut energy consumption from normal 4-5W to 1W which counts 80% of saving.

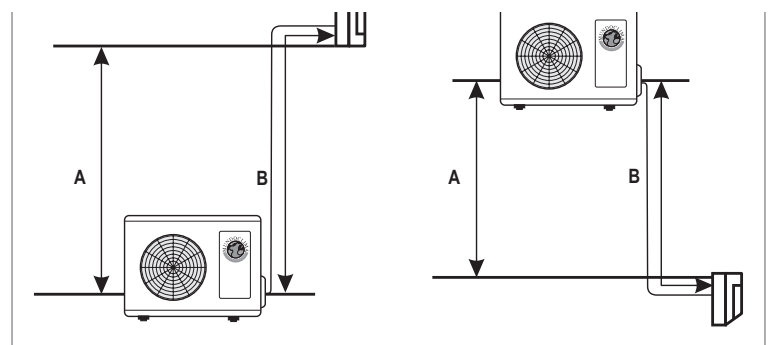
## ELECTRIC INSTALLATION

Model	Power supply cord (A)	Interconnexion cord (B)
MUPR-09-H3	2 x 2.5 + T	4 x 2.5 + T
MUPR-12-H3	2 x 2.5 + T	4 x 2.5 + T
MUPR-18-H3	2 x 4 + T	4 x 4 + T
MUPR-24-H3	2 x 4 + T	4 x 4 + T



## COOLING INSTALLATION

Model	Tube		Max. length (B)	Max. height diff. (A)	Precharge (m)	Addit. charge (g/m)
	Liquid	Gas				
MUPR-09-H3	1/4"	3/8"	20	8	5	20
MUPR-12-H3	1/4"	3/8"	20	8	5	20
MUPR-18-H3	1/4"	1/2"	25	10	5	20
MUPR-24-H3	3/8"	5/8"	25	10	5	40



\* In case 2 (outdoor unit installed at a higher point) and height differences over 5~7 m it is necessary to install an oil trap in the tube.